

Assembly Instructions for T-shirt Spinner

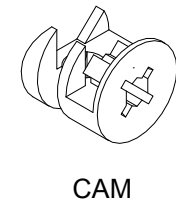
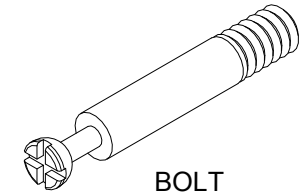
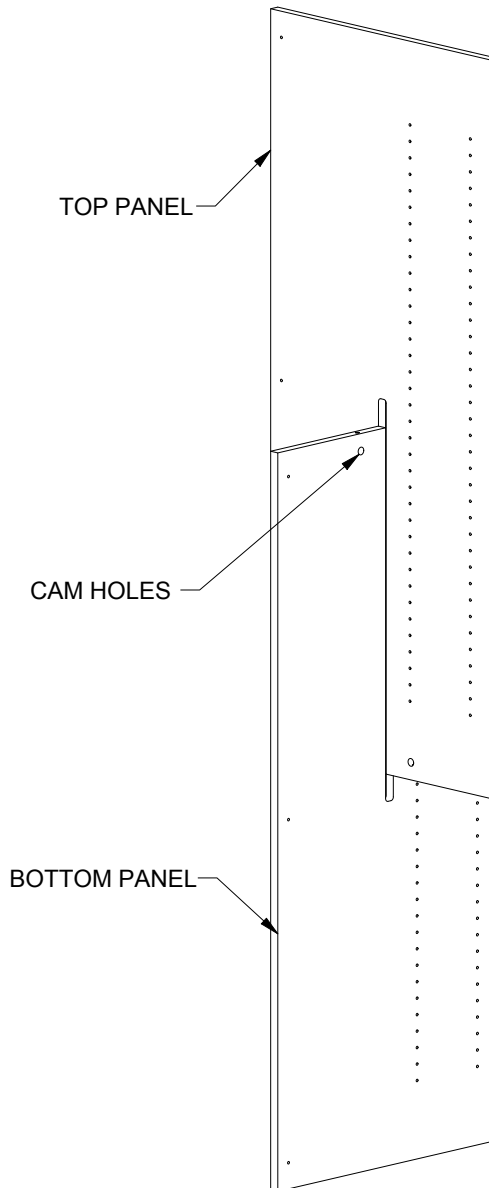
White #55103, Black #55102, Maple #55105, Cherry #55104

PLACE CAMS IN TOP PANEL

ARROW ON CAMS SHOULD FACE
BOTTOM OF PANEL

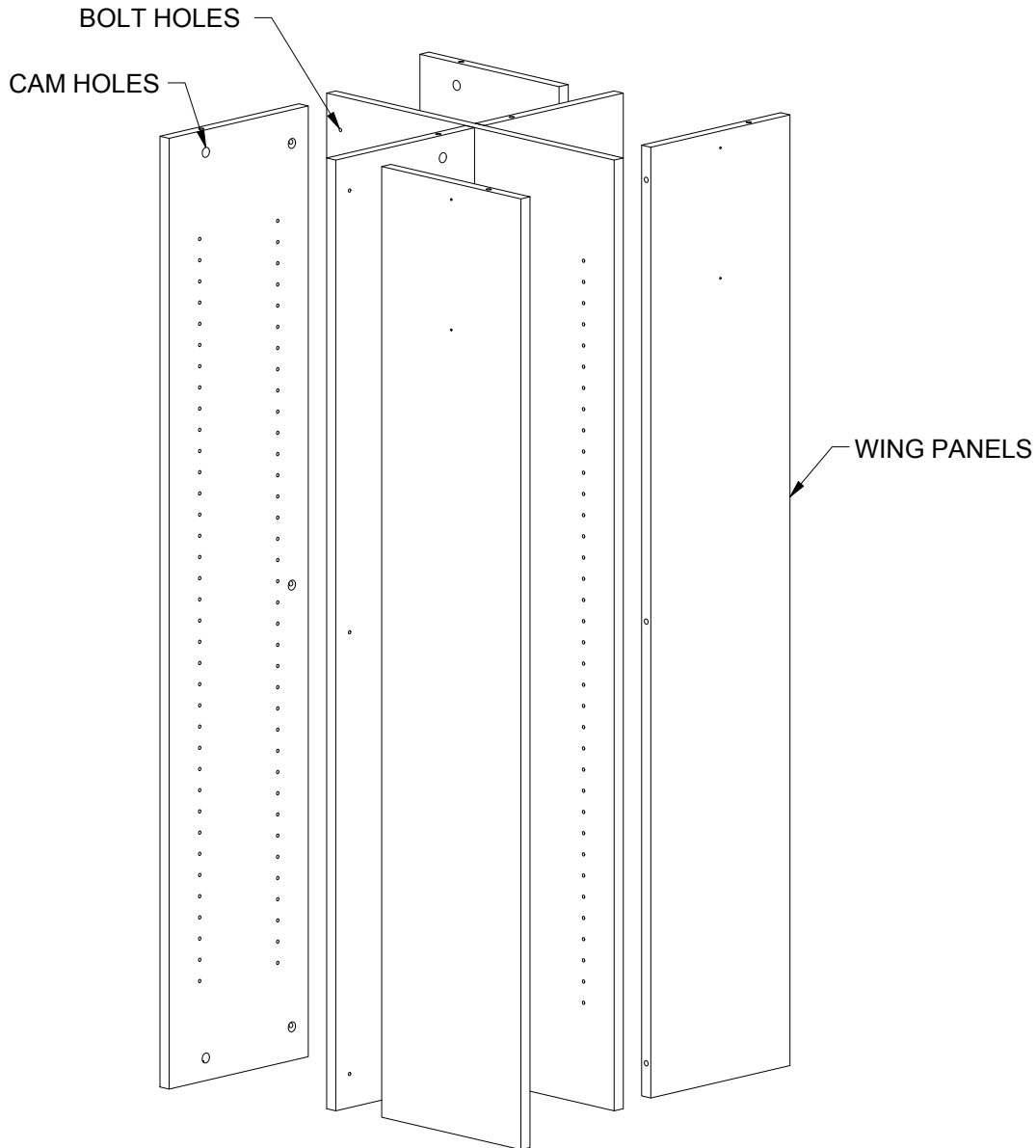
SLIDE TOP AND BOTTOM PANEL
TOGETHER & PLACE ON BASE

SCREW IN BOLTS TO TOP & BOTTOM
PANEL FOR WING PANELS



Assembly Instructions for T-shirt Spinner

White #55103, Black #55102, Maple #55105, Cherry #55104



PLACE CAMS IN WING PANELS WITH
ARROWS FACING TOWARD EDGE OF
PANEL

ATTACH WING PANELS TO TOP &
BOTTOM PANELS

ALIGN WITH CORRESPONDING BOLTS

TIGHTEN WITH PROVIDED
ALLEN WRENCH

Assembly Instructions for T-shirt Spinner

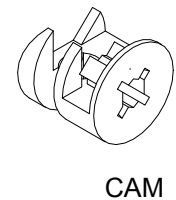
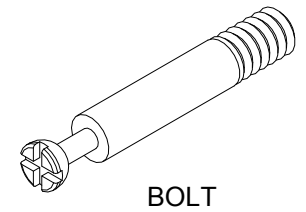
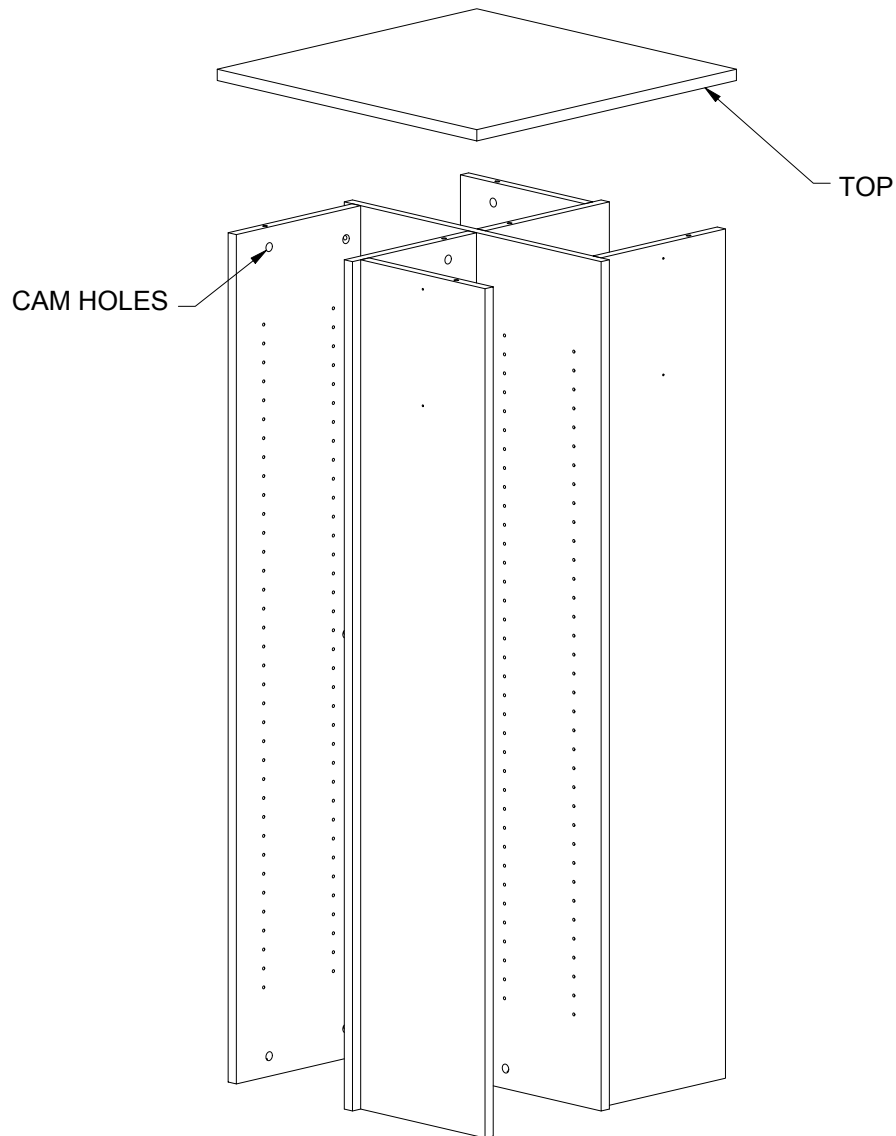
White #55103, Black #55102, Maple #55105, Cherry #55104

SCREW BOLTS INTO TOP

PLACE TOP ONTO FIXTURE

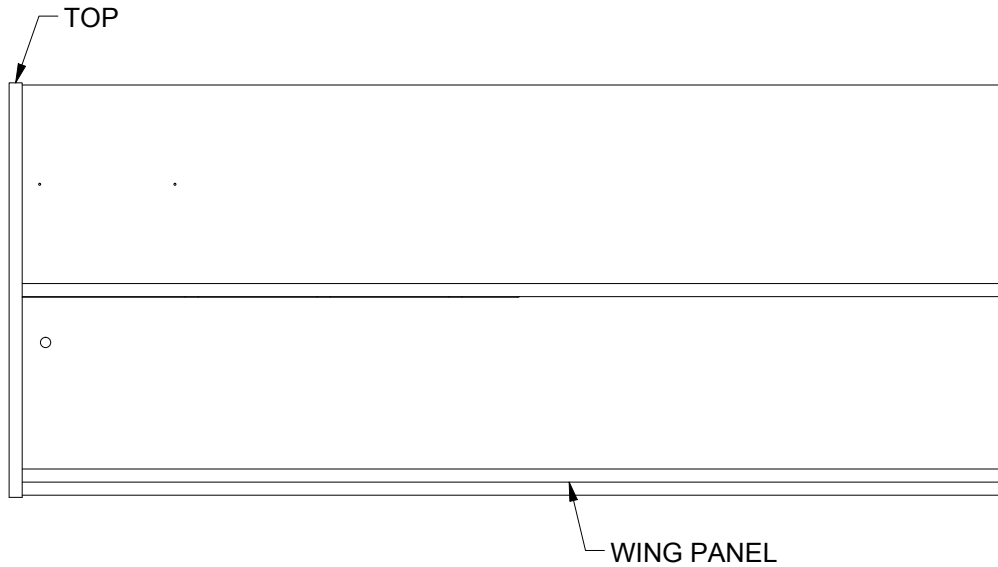
ALIGN BOLT HOLES WITH
CORRESPONDING CAMS

TIGHTEN WITH PROVIDED
ALLEN WRENCH

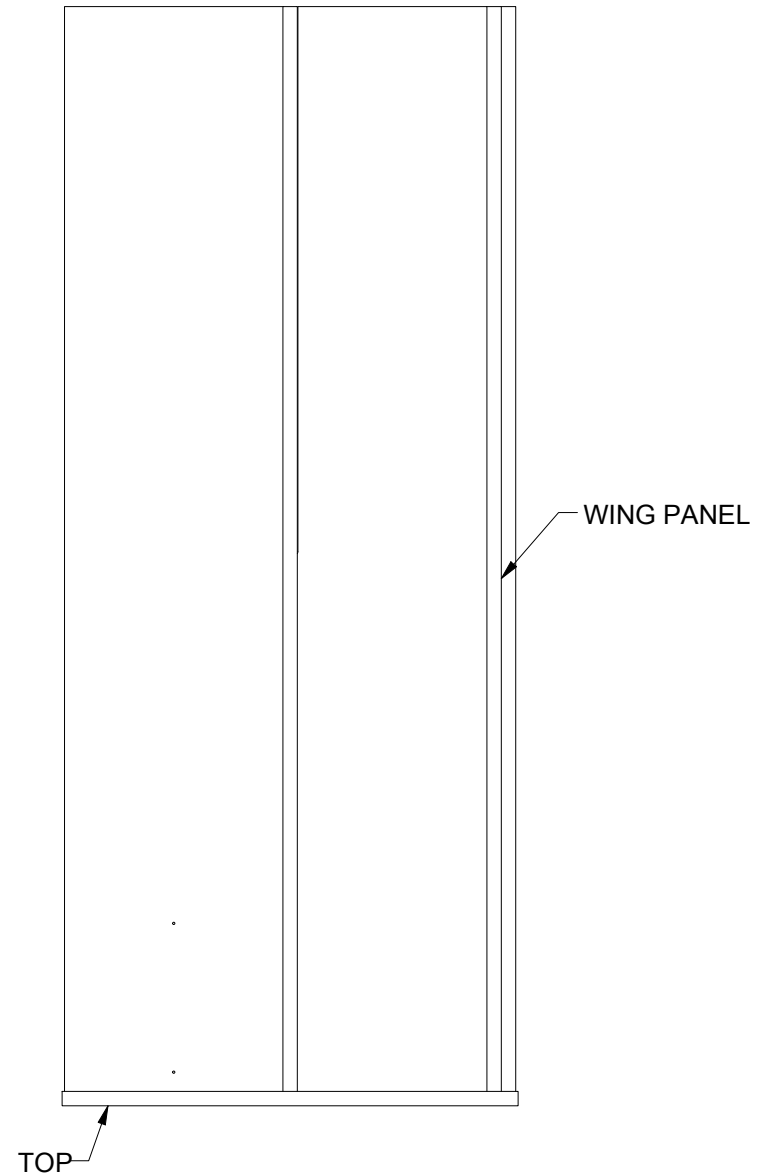


Assembly Instructions for **T-shirt Spinner**

White #55103, Black #55102, Maple #55105, Cherry #55104



LAY UNIT ON ITS SIDE
THEN
TURN UNIT ONTO TOP



Assembly Instructions for T-shirt Spinner

White #55103, Black #55102, Maple #55105, Cherry #55104

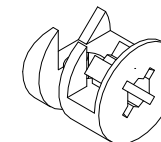
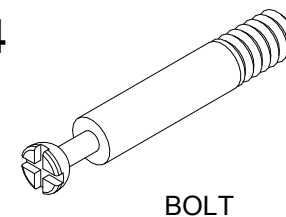
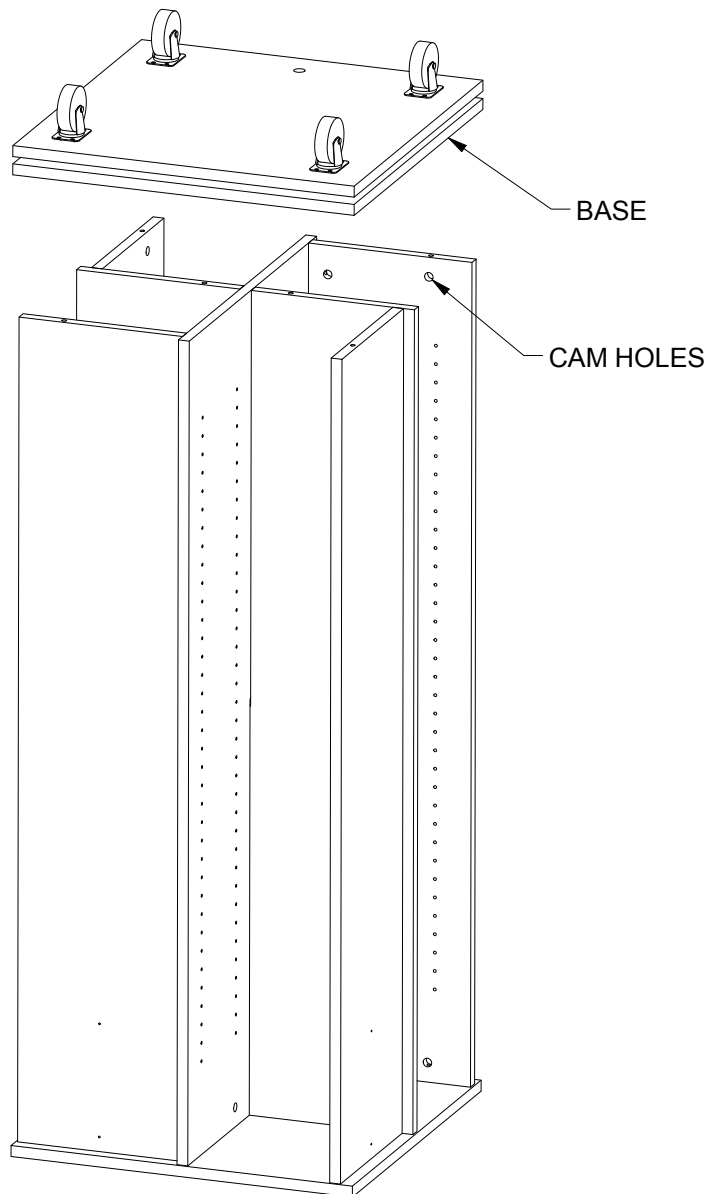
SCREW BOLTS INTO SUPPLIED
HOLES IN BASE

ALIGN BOLTS & CAMS

TIGHTEN WITH PROVIDED ALLEN
WRENCH TO ATTACH BASE

ROLL UNIT TO ITS SIDE

TURN UNIT UPRIGHT WITH
CASTERS ON THE FLOOR

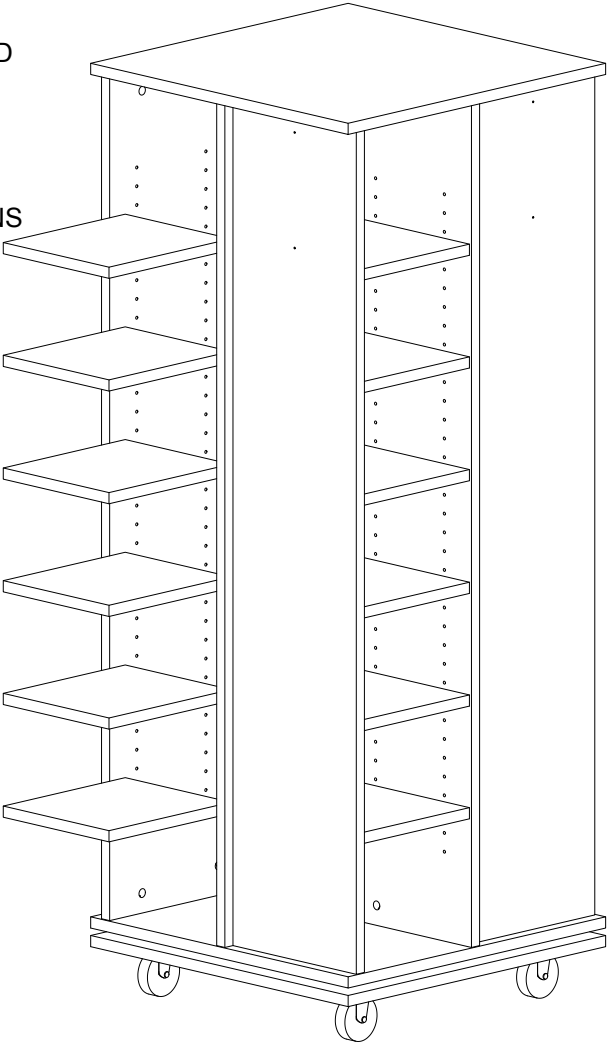


Assembly Instructions for T-shirt Spinner

White #55103, Black #55102, Maple #55105, Cherry #55104

PLACE SHELF
PINS AT DESIRED
HEIGHTS

PLACE SHELVES
ONTO SHELF PINS



ATTACH T-SHIRT
FRAME WITH
PROVIDED HOLES
& SCREWS

