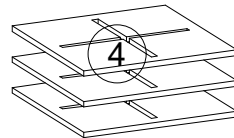
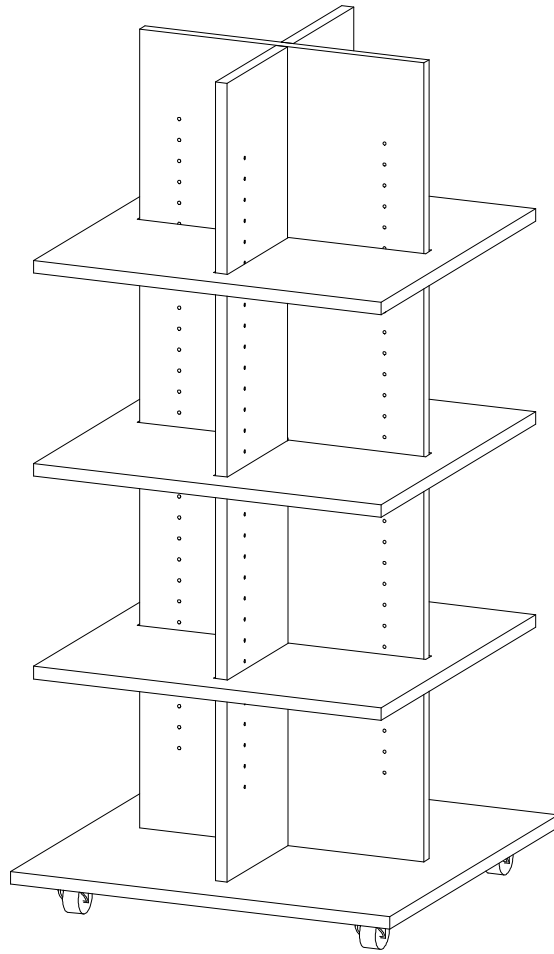
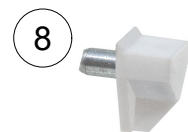
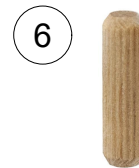
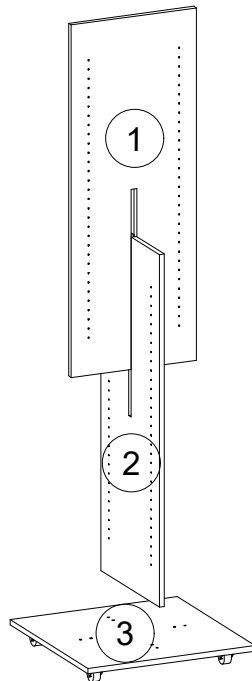


# Shelf Tower Assembly Instructions



COMPONENTS	
Part #	Qty
1	1
2	1
3	1
4	3
5	4
6	4
7	1
8	24

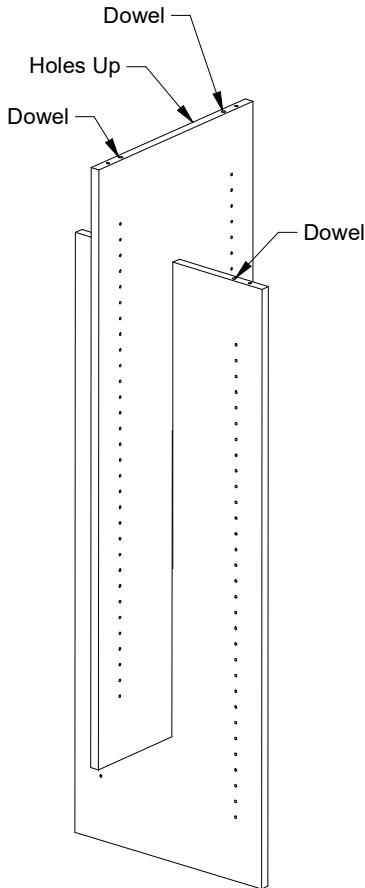


# Shelf Tower Assembly Instructions

## Step 1

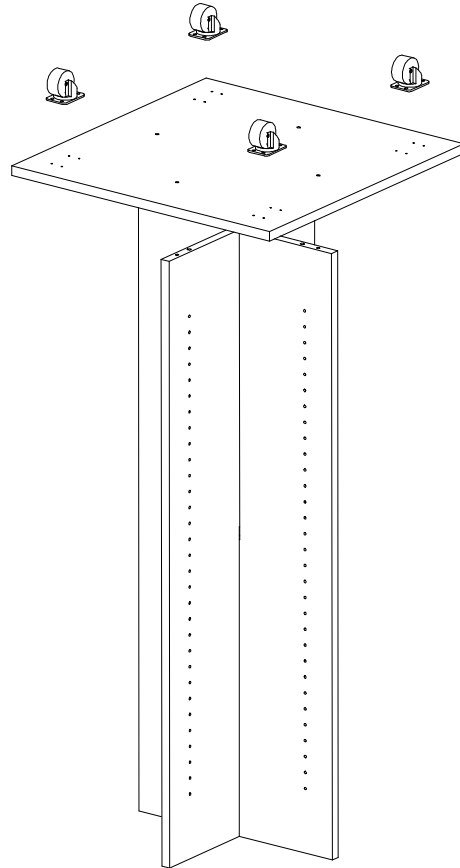
Slide the two center column pieces together with the holes facing up.

Insert (2) dowels into the second holes as shown below.



## Step 2

Place base on top of uprights so that the dowel holes line up. Install (4) hex bolts. Attach casters using provided screws.



## Step 3

Insert (8) shelf pins into the holes at the desired location (Fig. A). Be sure that the shelf pins are all in the same hole from the bottom of the panel. Slide a shelf over the center column panels lining up the route in the shelf with the center column panel edges. Repeat for other (2) shelves.

