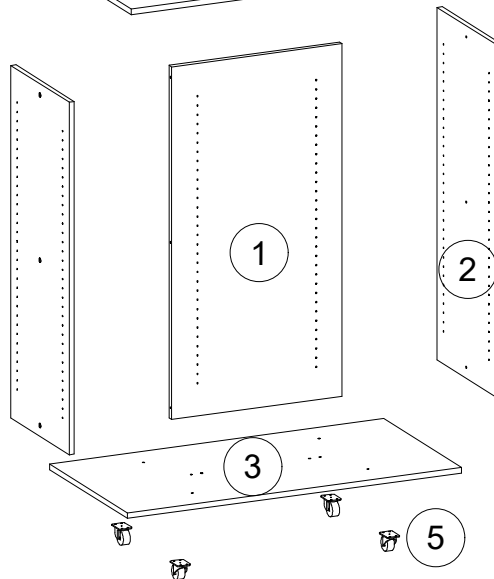
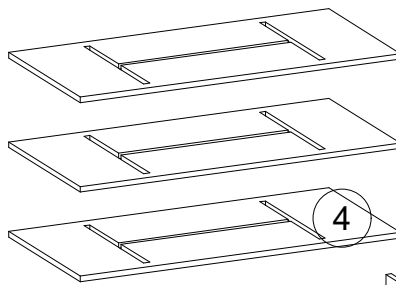
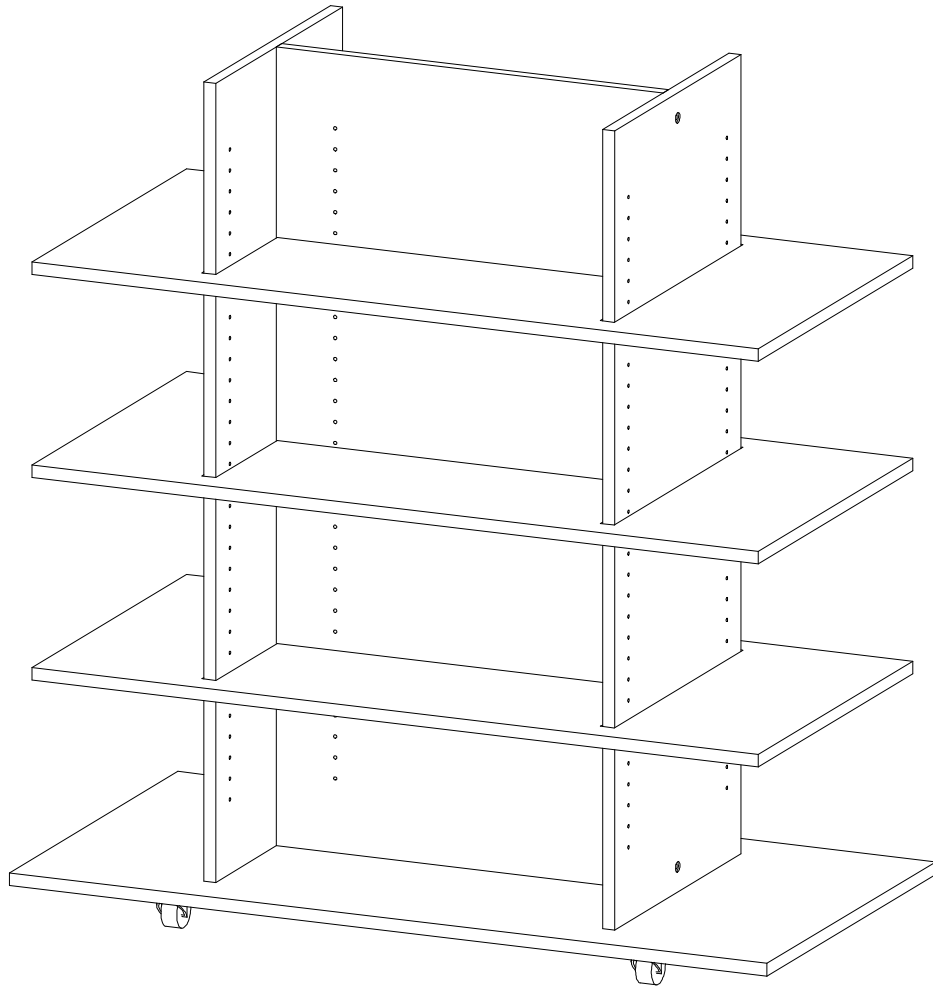


# Merchandiser Assembly Instructions



COMPONENTS	
Part #	Qty
1	1
2	2
3	1
4	3
5	4
6	12
7	2
8	1
9	36

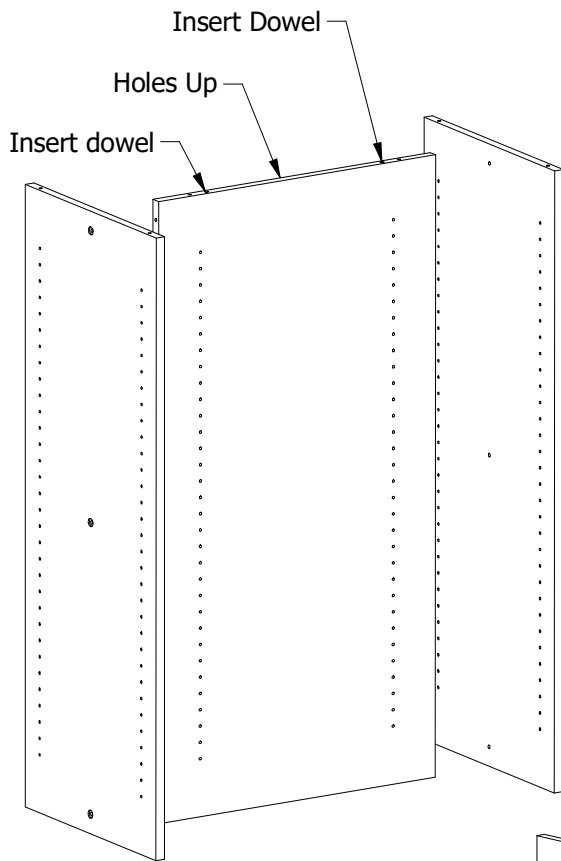


# Merchandiser Assembly Instructions

## Step 1

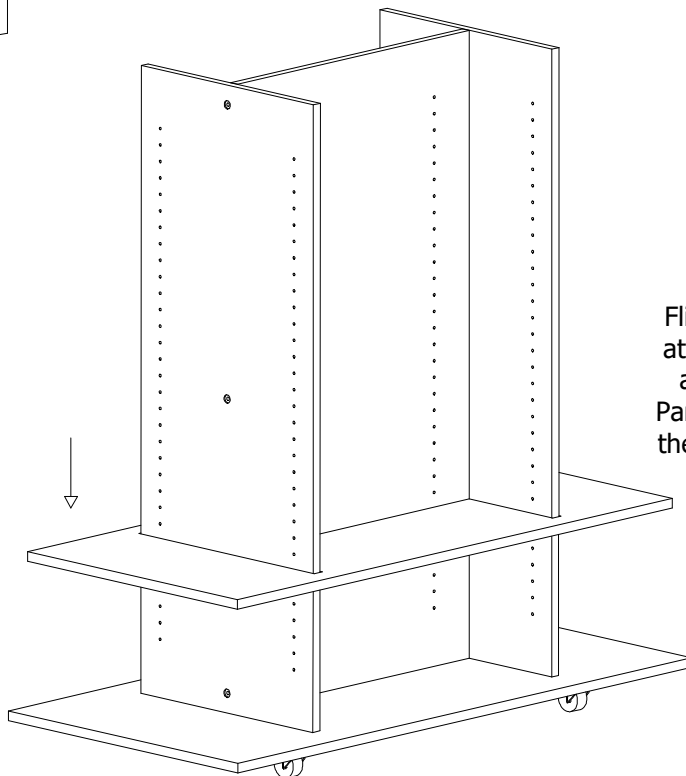
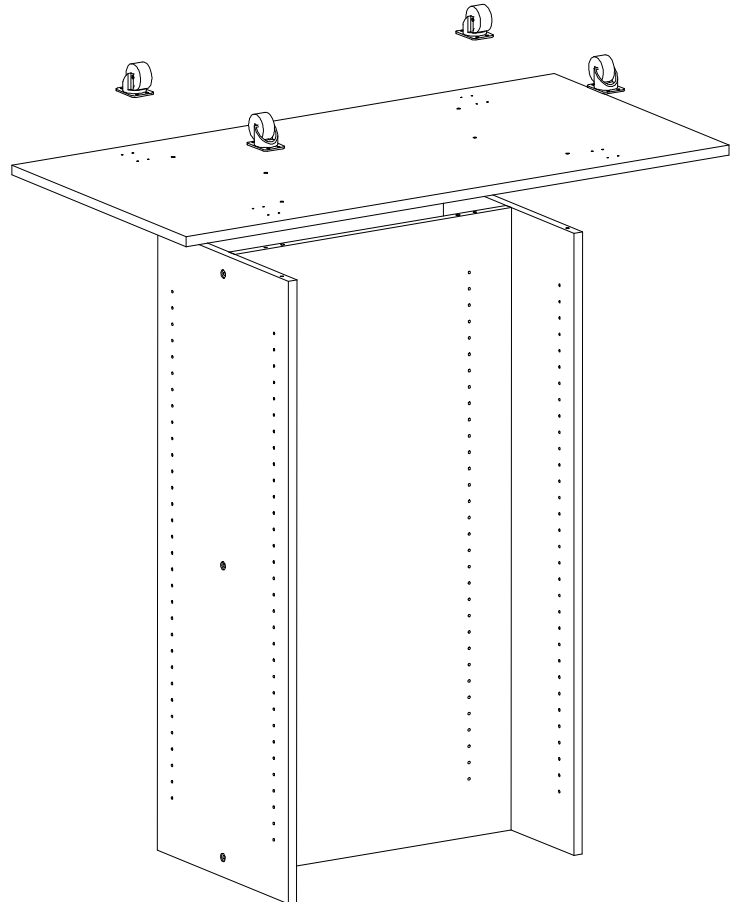
Attach end panels to the center panel using (3) hex bolts per end panel with the holes facing up.

Insert (2) dowels into the center panel as shown below.



## Step 2

Place base on top of panels so that the dowel holes line up. Install (6) hex bolts.



## Step 3

Flip unit over. Insert (12) shelf pins into the holes at the desired location. Be sure that the shelf pins are all in the same hole from the bottom of the Panel. Slide a shelf over the center panels lining up the route in the shelf with the center column panel edges. Repeat for other (2) shelves.