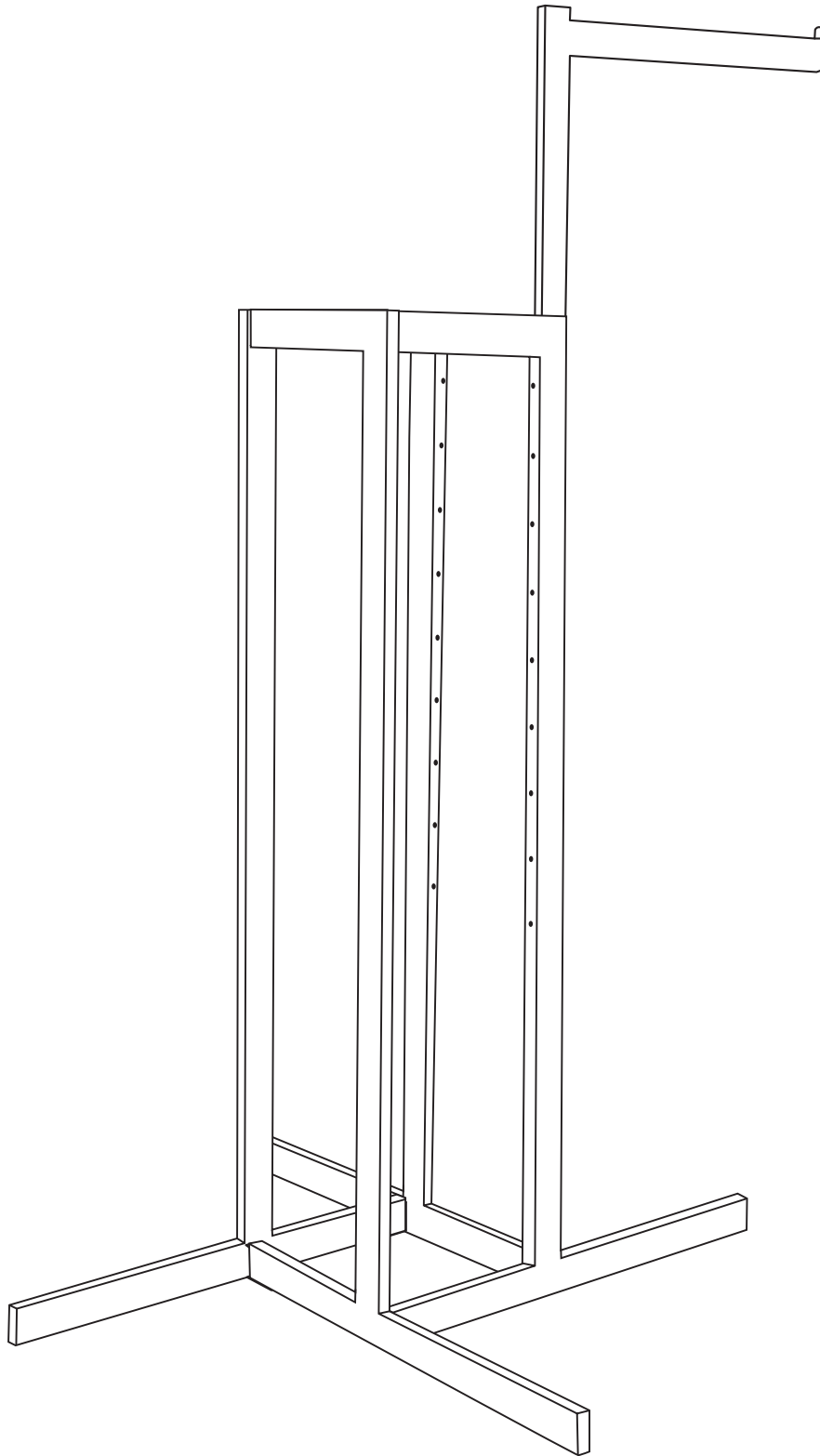


4-WAY RACK WITH RECTANGULAR TUBE ASSEMBLY INSTRUCTIONS

Chrome #28113, 28114, 28115 Black #28110, 28111, 28112



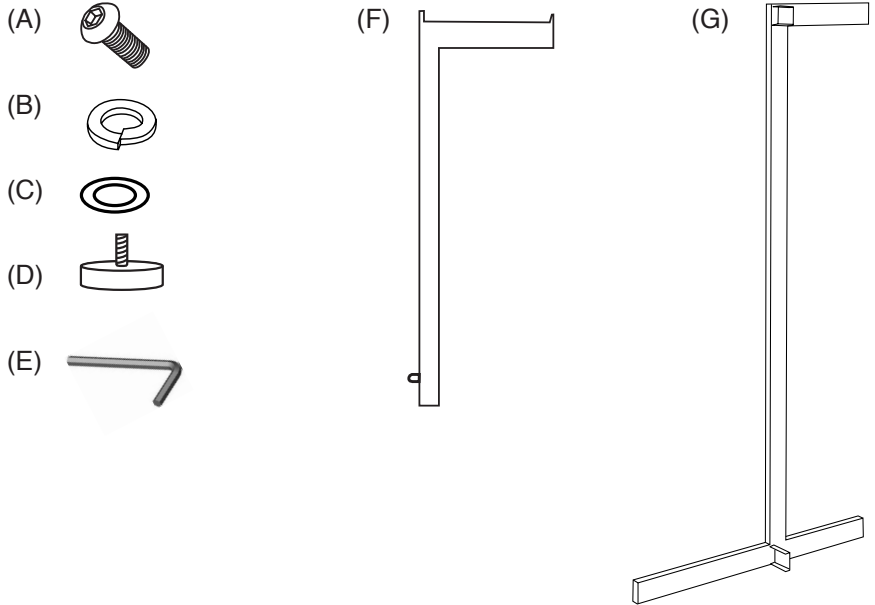
4-WAY RACK WITH RECTANGULAR TUBE ASSEMBLY INSTRUCTIONS

Chrome #28113, 28114, 28115

Black #28110, 28111, 28112

PARTS LIST

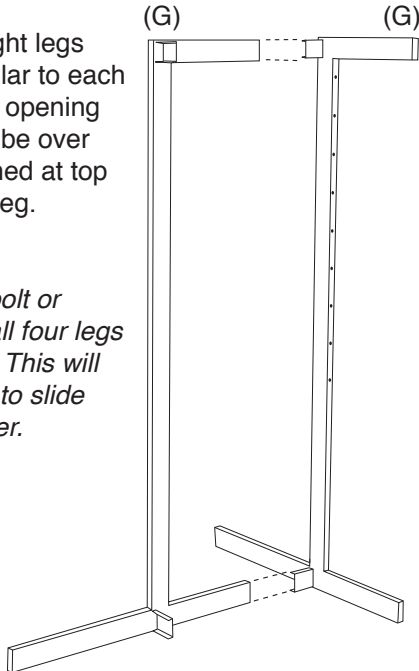
- (A) 8 - Hex Head Bolt
- (B) 8 - Locking Washers
- (C) 8 - Washers
- (D) 4 - Levelers
- (E) 1- Allen Wrench
- (F) 4 - Adjustable Rack Arms
- (G) 4 - Upright Legs



STEP 1

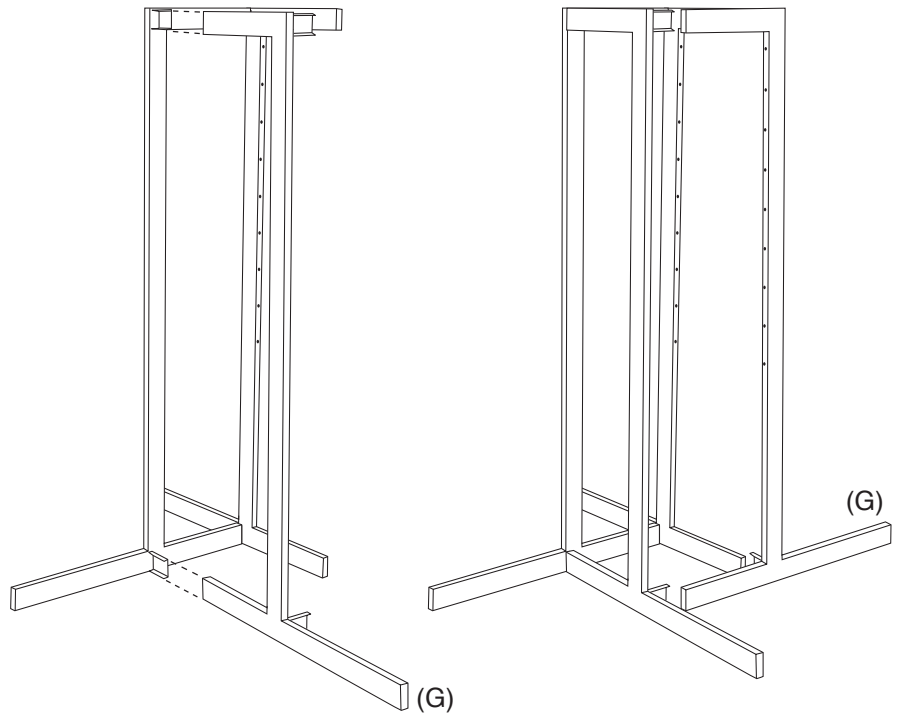
Place two upright legs (G) perpendicular to each other and slide opening at the end of tube over brackets attached at top and bottom of leg.

DO NOT add bolt or washers until all four legs are in position. This will allow each leg to slide into place easier.



STEP 2

Repeat Step 1 to add third and fourth upright legs (G).



4-WAY RACK WITH RECTANGULAR TUBE ASSEMBLY INSTRUCTIONS

Chrome #28113, 28114, 28115 Black #28110, 28111, 28112

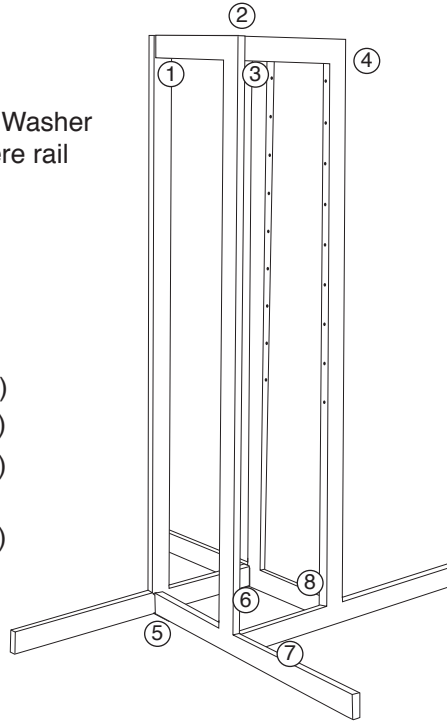
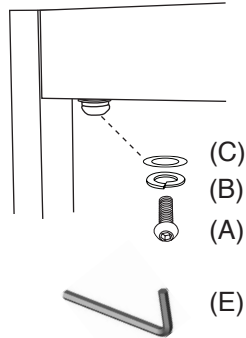
STEP 3

After all four legs are in position, place Bolt (A), Locking Washer (B) and Washer (C) into hole on bottom side of rails where rail slides over bracket.

DO NOT fully tighten bolts until all eight are in place.

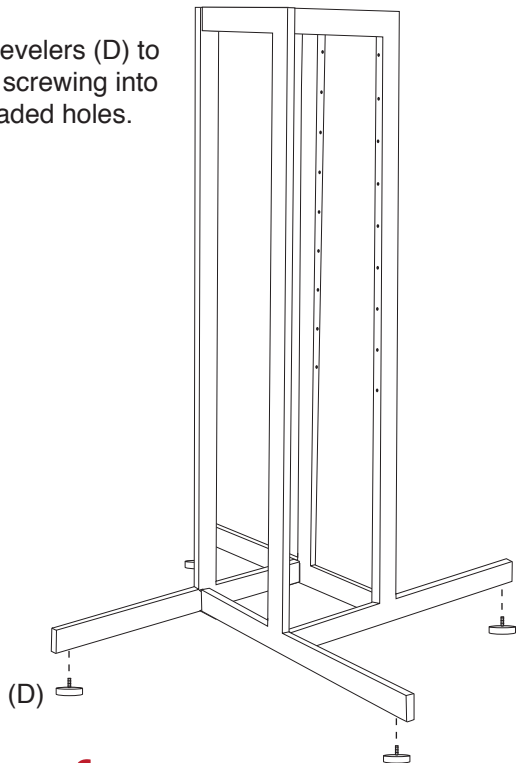
Repeat this step on bottom side of lower rails in all eight locations.

On all bolts and washers are in place, tighten using Allen Wrench (E) provided.



STEP 4

Attach Levelers (D) to base by screwing into pre-threaded holes.



STEP 5

Insert Adjustable Rack Arm (F) by compressing "button" at bottom of arm while sliding into top of each leg.

