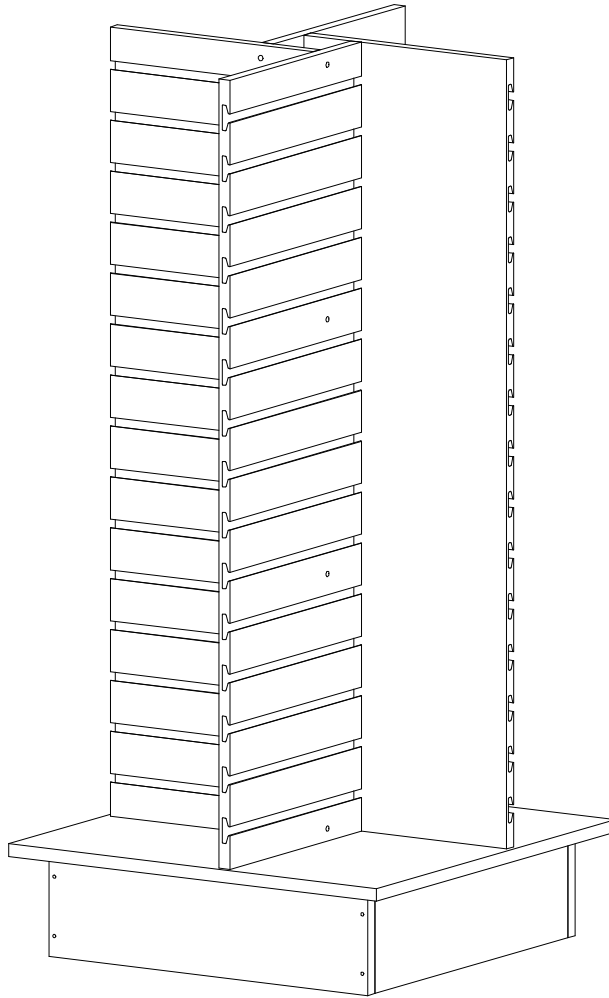
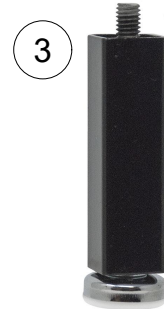
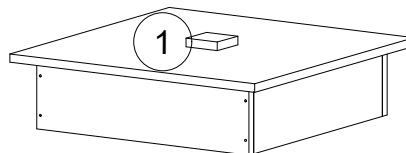
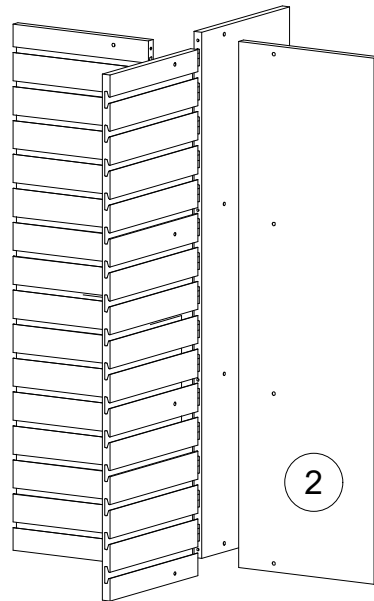


4 Way Slatwall Unit Assembly Instructions



COMPONENTS	
Part #	Qty
1	1
2	4
3	4
4	16
5	1



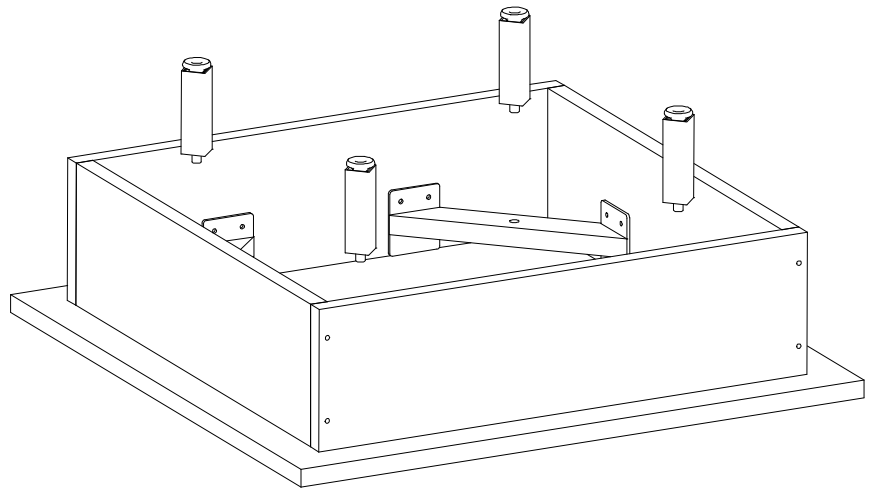
4 Way Slatwall Unit Assembly Instructions

Step 1

Turn the Base on its top. Insert the Legs with Levelers into threaded hole in Bracket, which is already attached to the Base. Set Base aside.

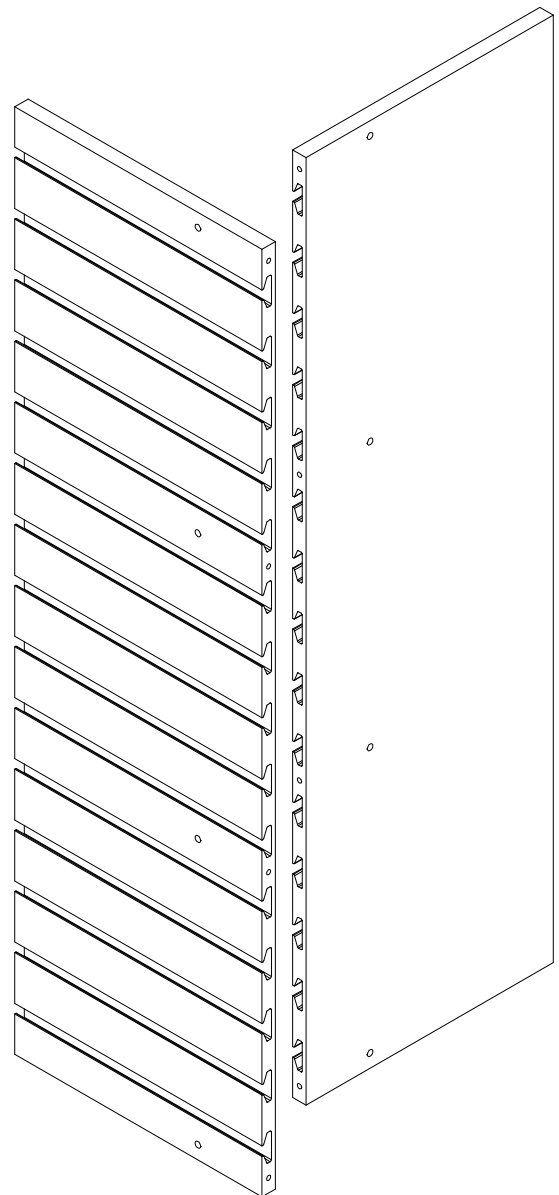
Note:

If using casters, do not install leveling legs.
Thread caster directly into the bracket.



Step 2

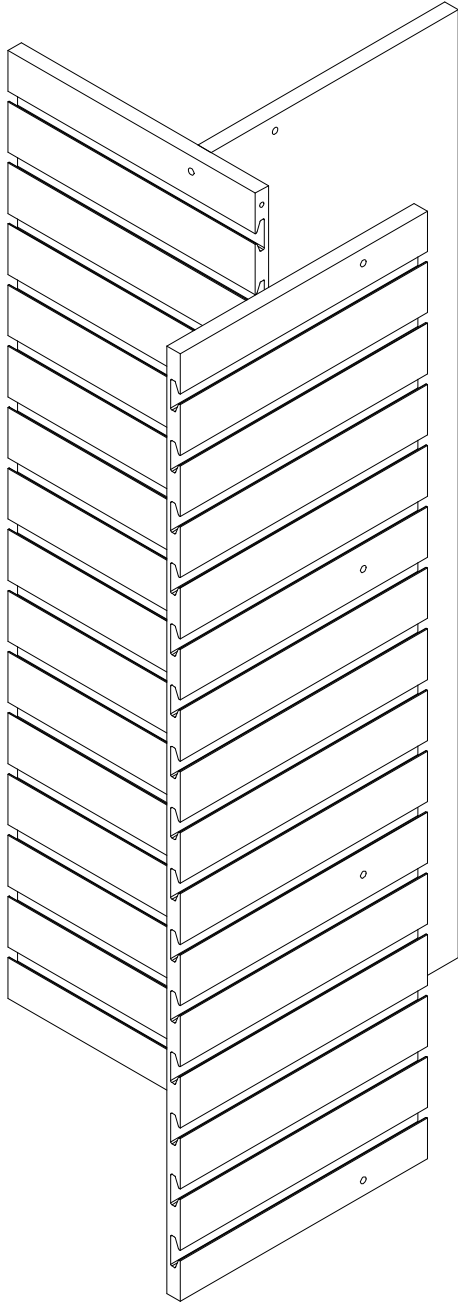
Attach (2) Slatwall Panels together using (4) Hex Bolts by aligning the predrilled holes with each other in a T-shape. Thread the Hex Bolts loosely until all (4) Bolts are inserted, then tighten securely.



4 Way Slatwall Unit Assembly Instructions

Step 3

Attach the third Slatwall Panel to the already assembled Panels using (4) Hex Bolts. Thread the hex bolts loosely until all (4) Bolts are inserted, then tighten securely.



Step 4

Set the assembled Slatwall Panels on top of the Base lining up the Center Square Opening with the Square Block that is attached to the Base. Firmly push the Assembled Slatwall Panels down ensuring that there are not any gaps between the Pinwheel and the Base.

