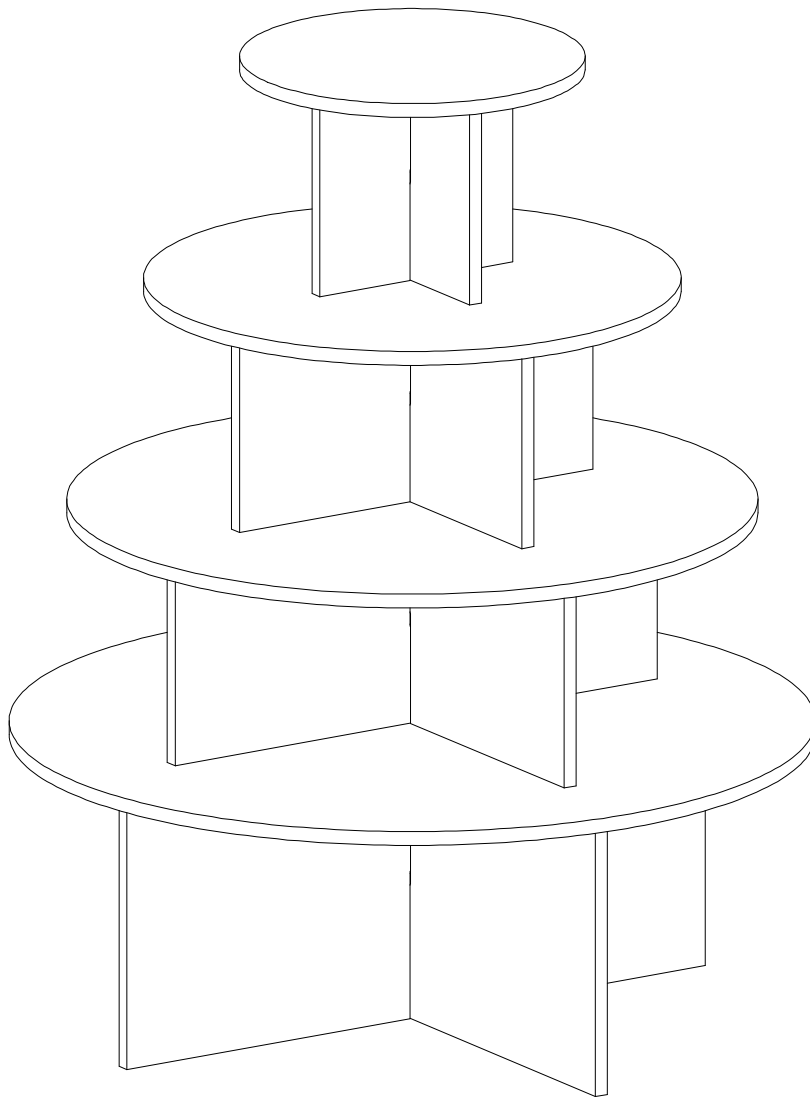
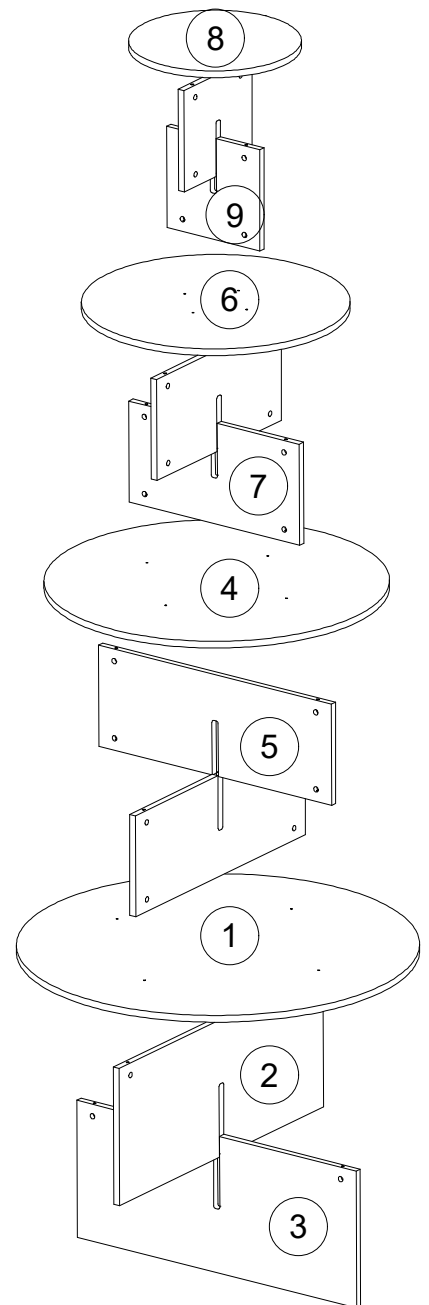


# 4 Tier Round Display Table Assembly Instructions



COMPONENTS	
Part #	Qty
1	1
2	1
3	1
4	1
5	2
6	1
7	2
8	1
9	2
10	28
11	28
12	1



# 4 Tier Round Display Table Assembly Instructions

## Cam and Cam Bolt Construction

1. Cam Bolt: (Figure 1) Screw the cam bolt into the predrilled hole. Tighten until snug and the non-threaded portion of the bolt (A) touches the surface.
2. Cams: (Figure 2) Make sure the hex drive on the cam faces up, then push the cam down into large hole. If necessary, tap it in gently until it is even with the surface of the board. Turn the cam until the arrow (B) points at the hole (C) on the adjacent edge.
3. Joining Panels: (Figure 3) First line up all the cam bolts with their associated holes by partially inserting them into the holes. Once all of the bolts have been lined up and inserted, press the panels together until the panel surfaces touch. Use the allen wrench to turn the cams clockwise until they are snug.

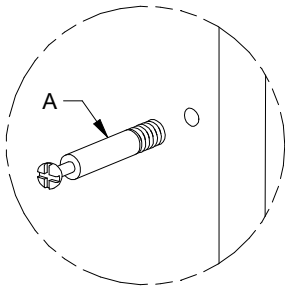


Figure 1

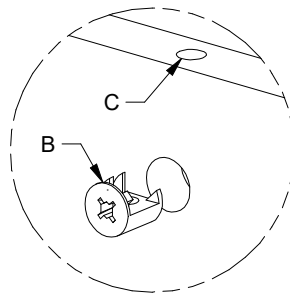


Figure 2

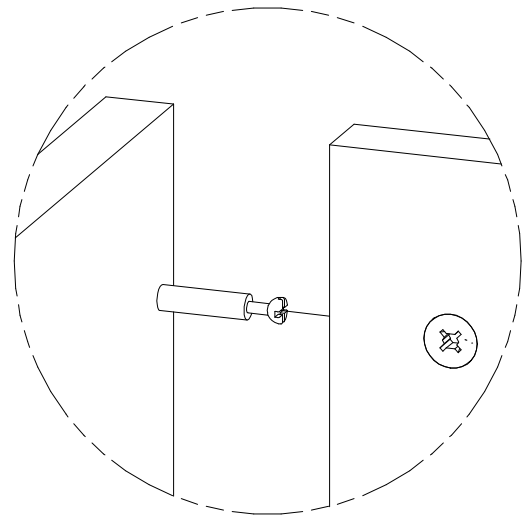
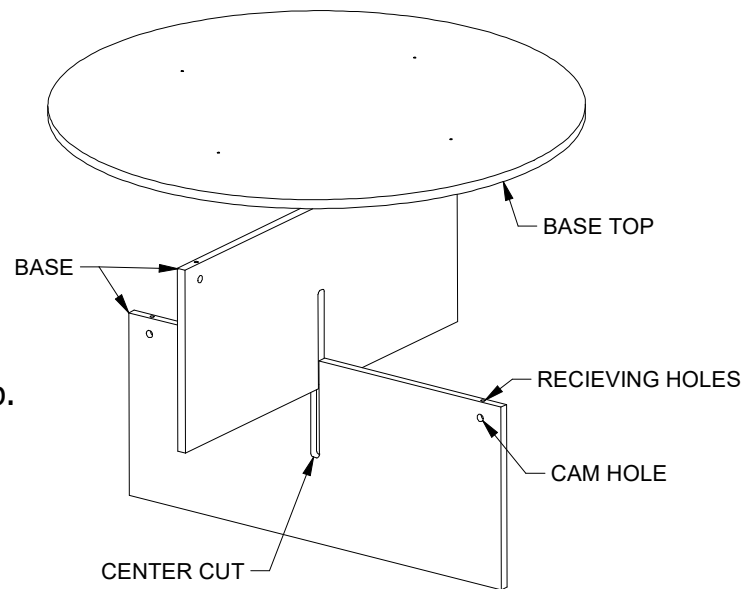


Figure 3

## 4 Tier Round Display Table Assembly Instructions

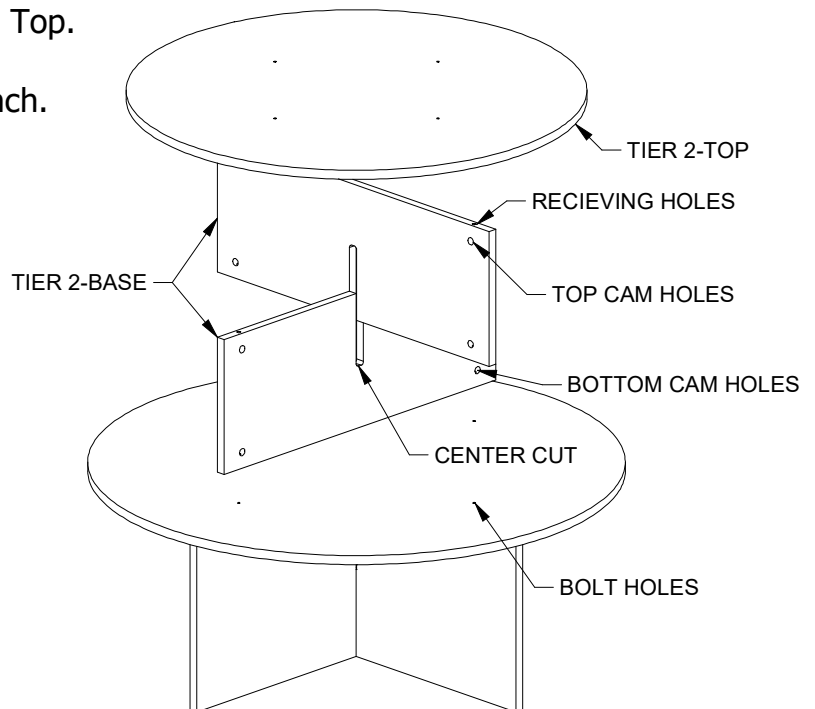
### Step 1

Screw bolts into bolt holes on bottom side of base top.  
Fit both base parts together using center cuts.  
Align base top onto receiving holes in base parts.  
Place cams in holes with arrow facing up.  
Tighten cams with provided allen wrench.

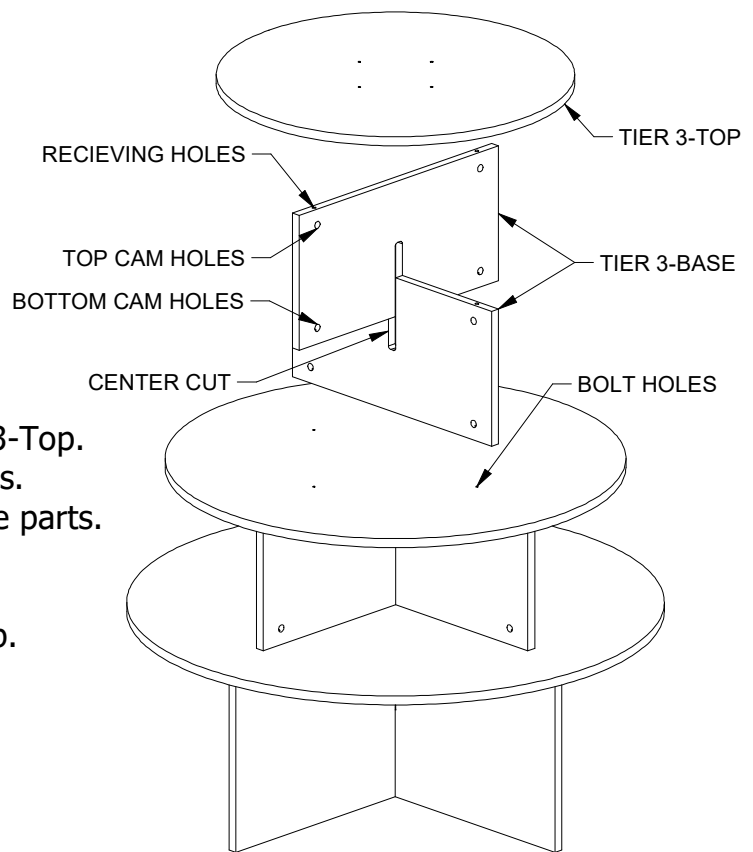


### Step 2

Screw bolts onto bolt holes on bottom side of Tier 2-Top.  
Fit both Tier 2-Base parts together using center cuts.  
Align Tier 2-Top onto receiving holes in Tier 2-Base parts.  
Place cams in top cam holes with arrow facing up.  
Tighten cams with phillips head screw driver.  
Screw bolts into bolt holes on top side of Base Top.  
Place cams in bottom cam holes facing down.  
Tighten bottom cams with provided allen wrench.

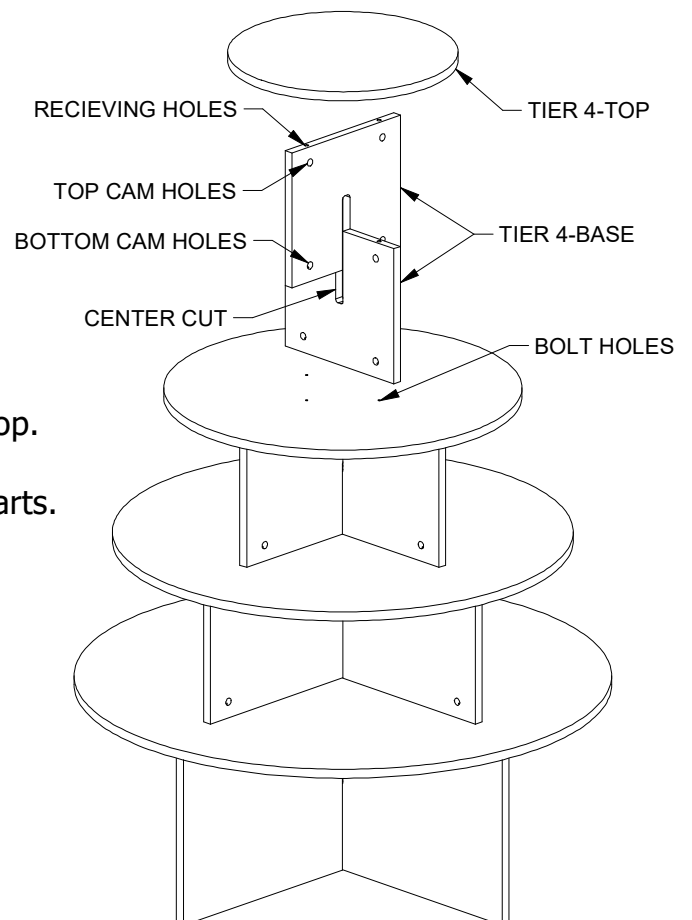


## 4 Tier Round Display Table Assembly Instructions



### Step 3

Screw bolts onto bolt holes on bottom side of Tier 3-Top.  
Fit both Tier 3-Base parts together using center cuts.  
Align Tier 3-Top onto receiving holes in Tier 3-Base parts.  
Place cams in top cam holes with arrow facing up.  
Tighten cams with phillips head screw driver.  
Screw bolts into bolt holes on top side of Tier 2-Top.  
Place cams in bottom cam holes facing down.  
Tighten bottom cams with provided allen wrench.



### Step 4

Screw bolts onto bolt holes on bottom side of Tier 4-Top.  
Fit both Tier 4-Base parts together using center cuts.  
Align Tier 4-Top onto receiving holes in Tier 4-Base parts.  
Place cams in top cam holes with arrow facing up.  
Tighten cams with phillips head screw driver.  
Screw bolts into bolt holes on top side of Tier 3-Top.  
Place cams in bottom cam holes facing down.  
Tighten bottom cams with provided allen wrench.