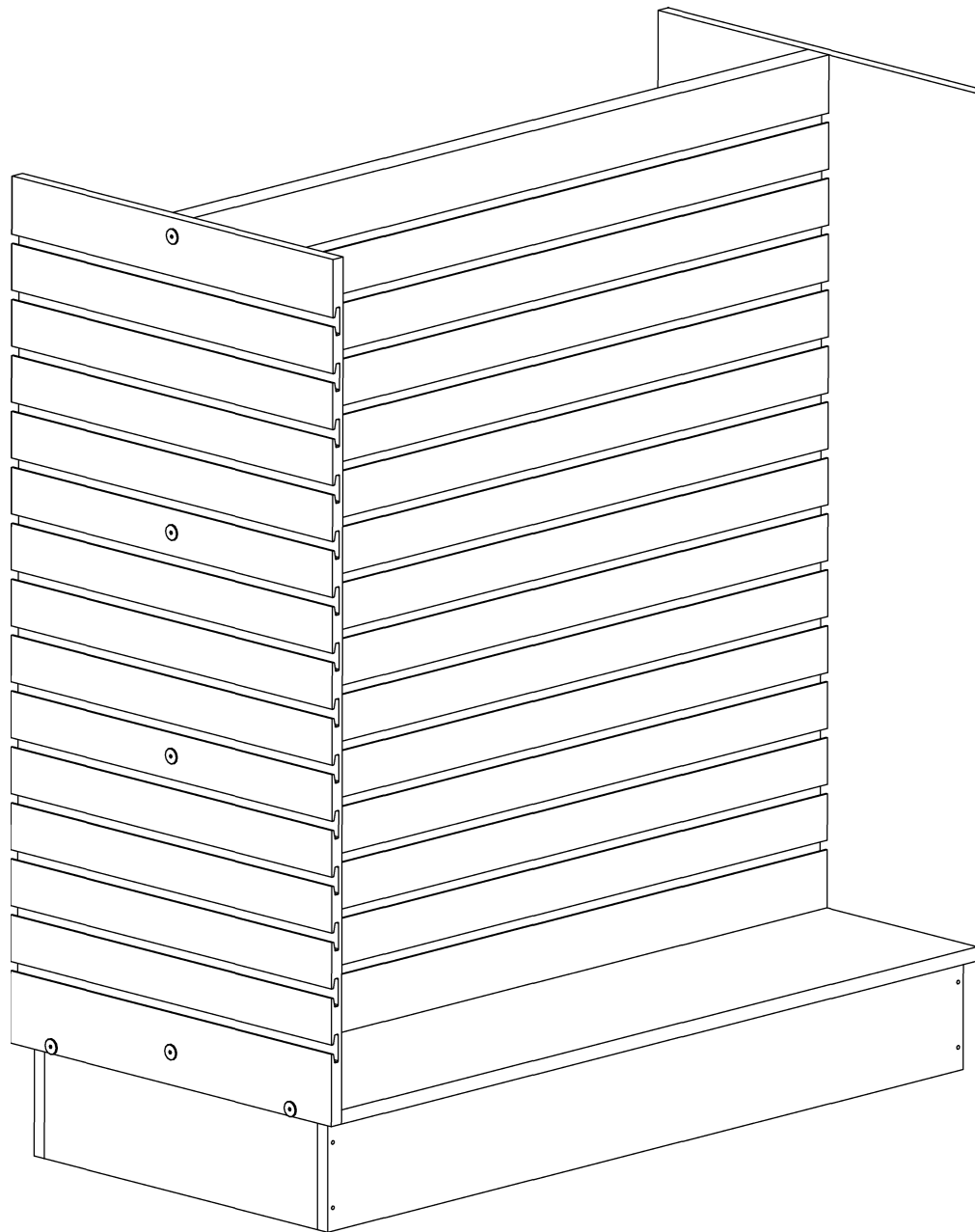
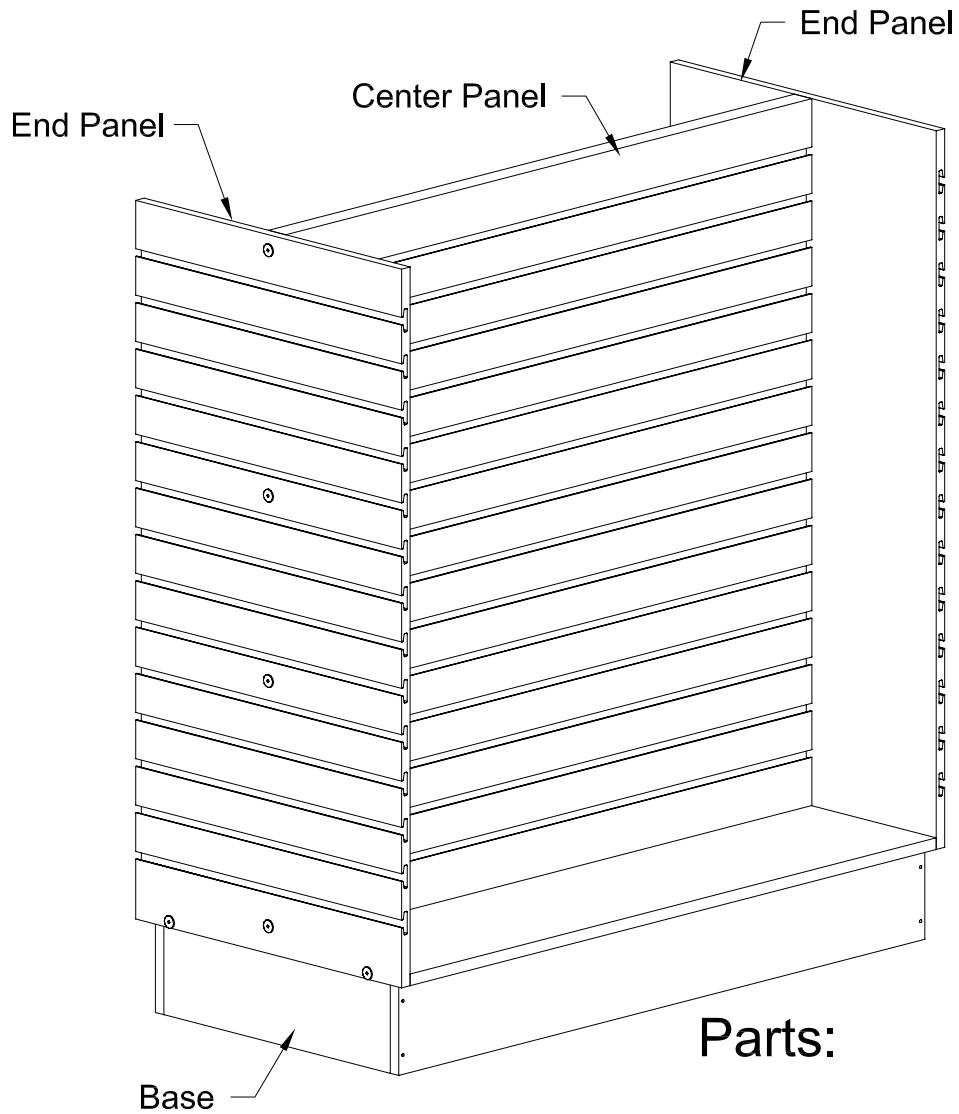


# 4' H-Unit Assembly Instructions

#01505, 01506, 01516, 01508, 01514, 01554, 01559



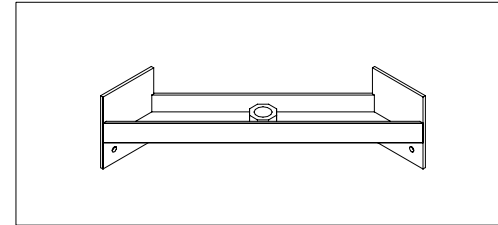


**Parts:**

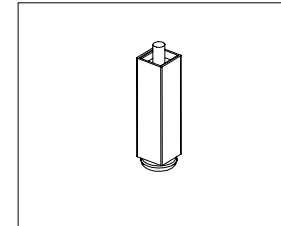
- Base - Qty 1
- Center Panel - Qty 1
- End Panel - Qty 2

**Hardware:**

Corner Bracket - Qty 4  
(Already installed in base)



Leg with Leveler - Qty 4



Chrome Hex Bolt - Qty 12

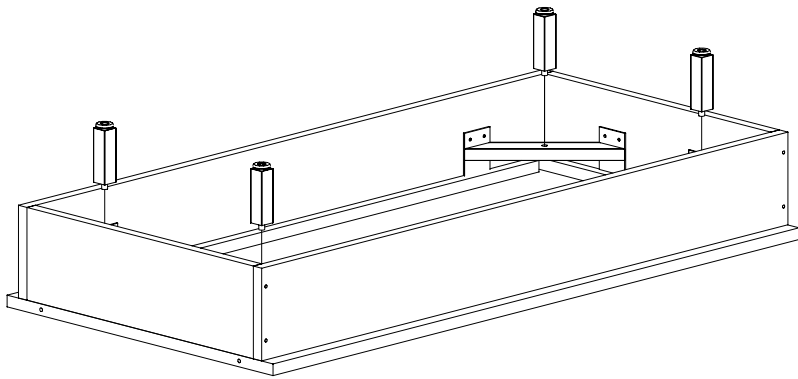


Allen Wrench - Qty 1



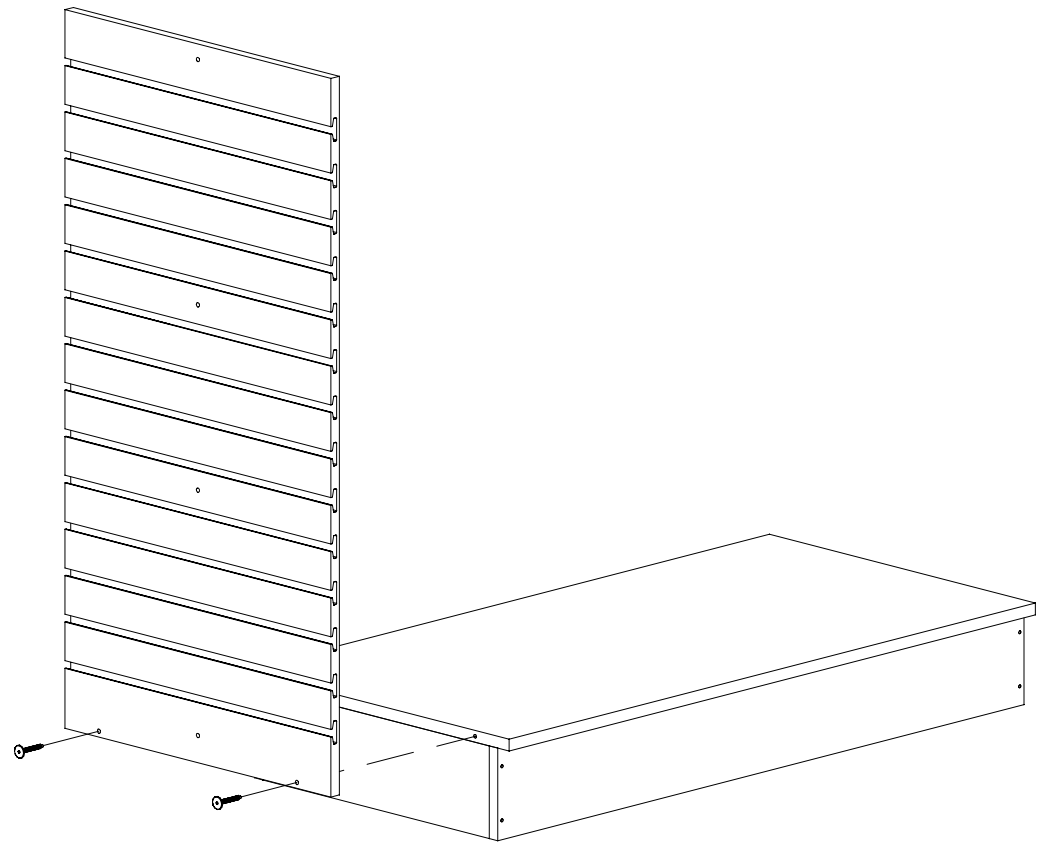
### Step 1

Turn the base on its top. Insert the legs with levelers into threaded hole in bracket, which is already attached to the base.



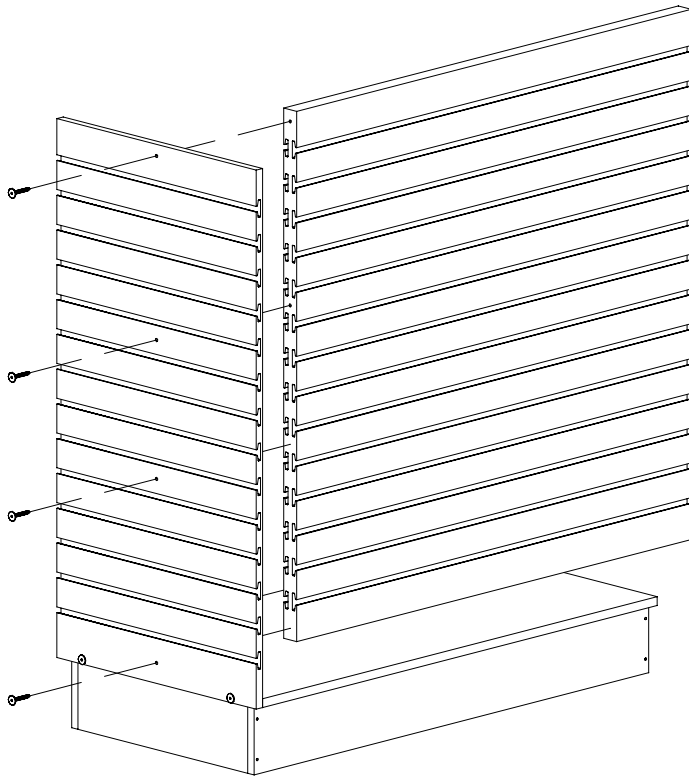
### Step 2

Turn the base over so that it is sitting on the levelers. Observe how the base sits on the floor. If any of the levelers are not touching the floor, reach under the base and turn the leveler(s) in the leg(s) until the base is able to sit firmly on the floor. Attach one end panel to base using two hex bolts into predrilled holes.



### Step 3

Attach the center panel to the already assembled end panel using four of the hex bolts. Start all hex bolts before tightening completely.



### Step 4

Attach the second end panel to the center panel using four hex bolts. Start all hex bolts before tightening completely. Next, thread the remaining two hex bolts through the end panel into the base.

