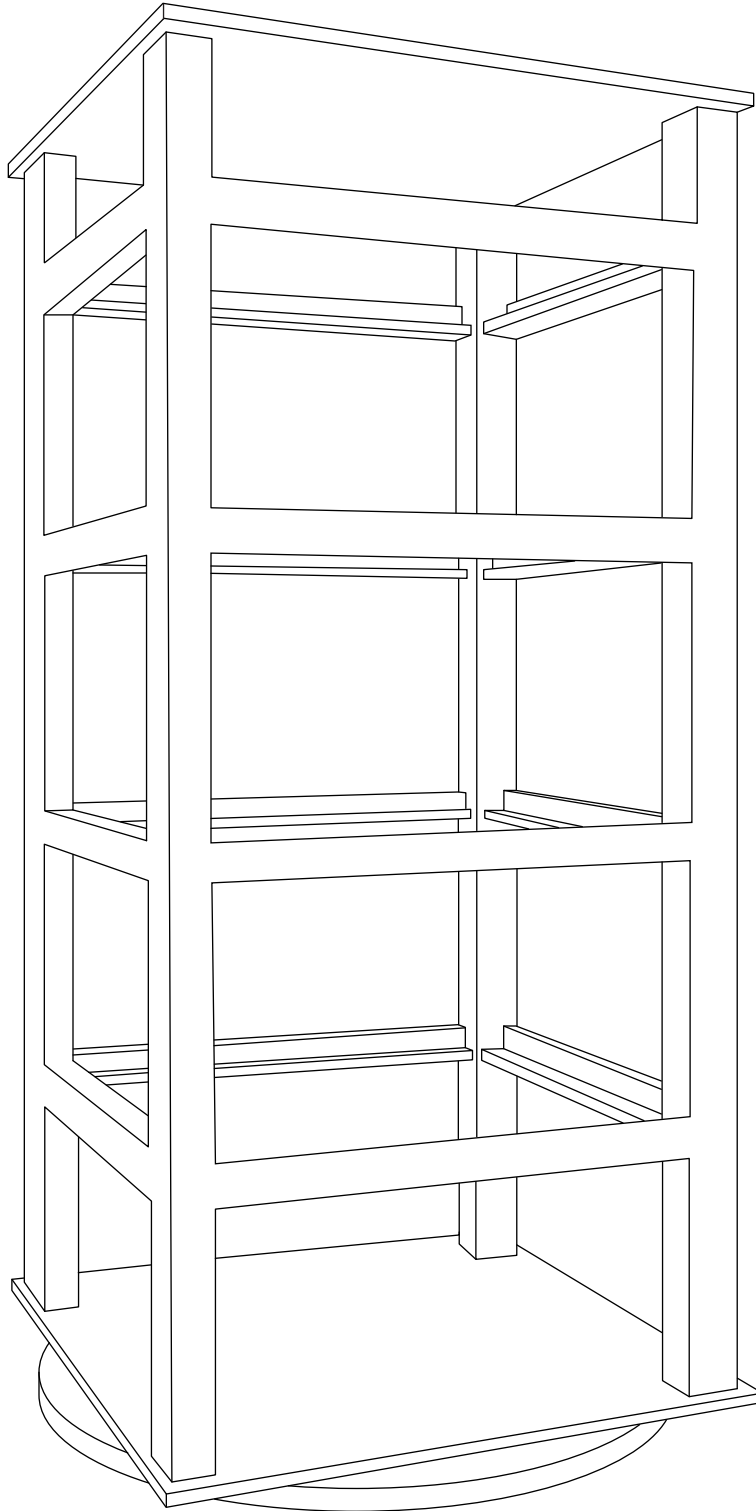


REVOLVING EARRING DISPLAY ASSEMBLY INSTRUCTIONS

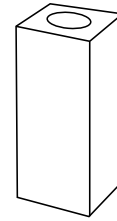
#49412



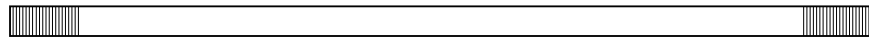
REVOLVING EARRING DISPLAY ASSEMBLY INSTRUCTIONS

#49412

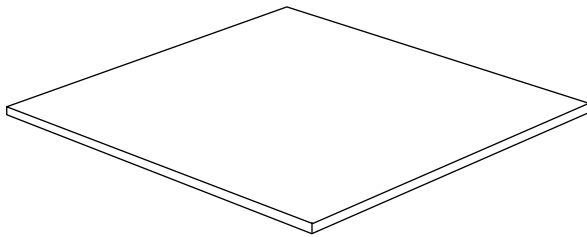
PARTS IN CARTON:



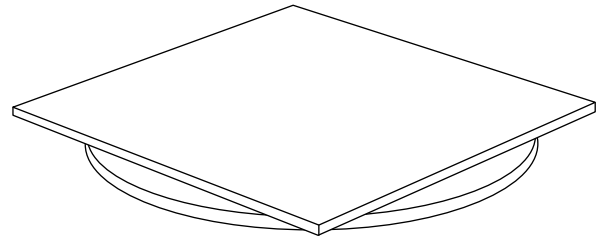
SPACERS
(4 EACH)



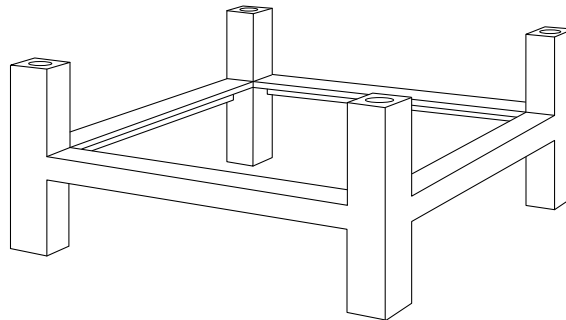
POLES
(4 EACH)



TOP BOARD
(1 EACH)



BASE
(WITH TURNING TABLE)
(1 EACH)



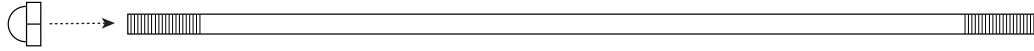
L GROOVED SQUARE FRAME
(4 EACH)

REVOLVING EARRING DISPLAY ASSEMBLY INSTRUCTIONS

#49412

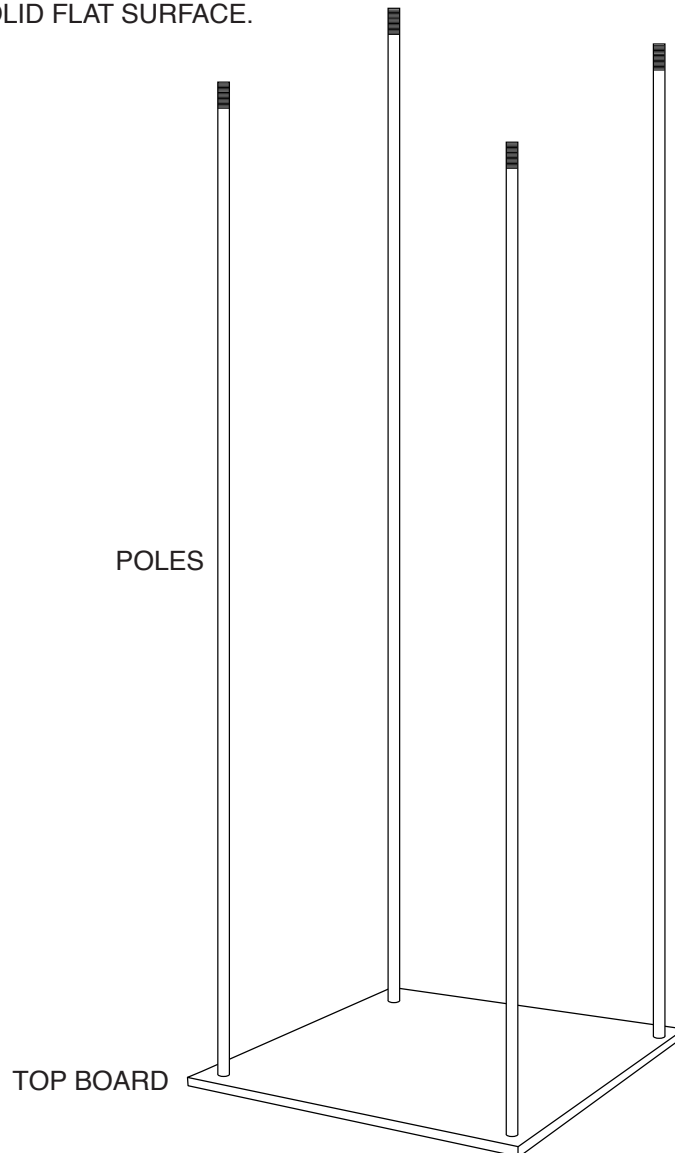
STEP 1

TAKE (4) TOP NUTS AND SCREW THEM ON THE THE (4) POLES UNTIL SECURE.



STEP 2

INSERT THE (4) POLES (WITH TOP NUTS ON THE BOTTOM) THROUGH THE (4) HOLES ON THE TOP BOARD AND STAND ON A SOLID FLAT SURFACE.

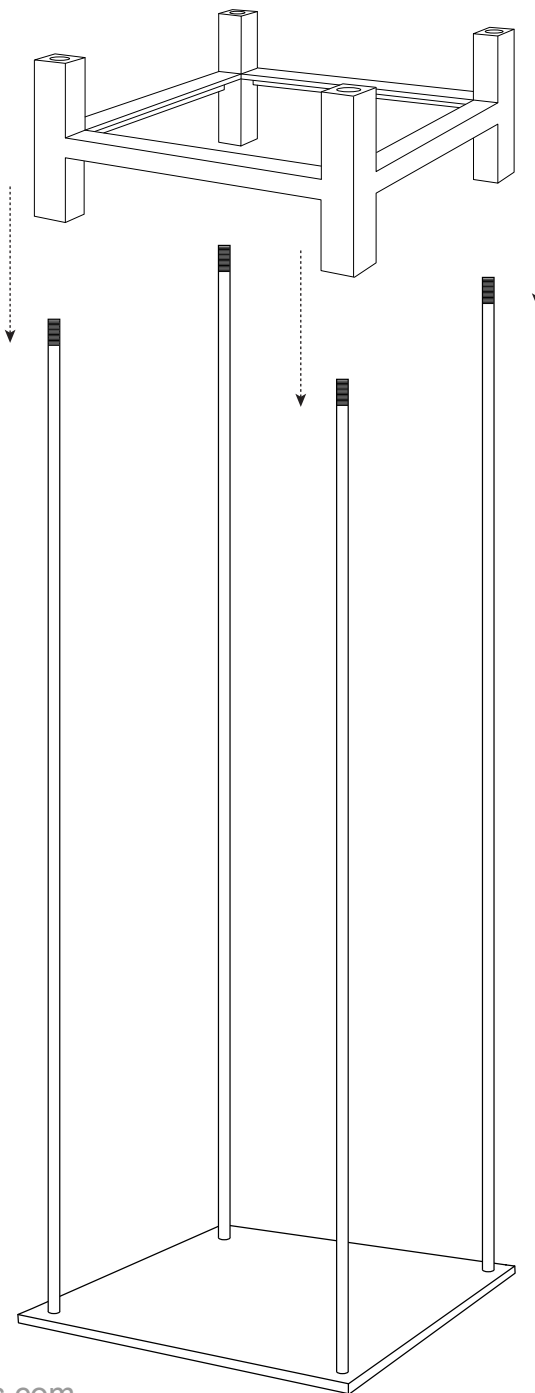
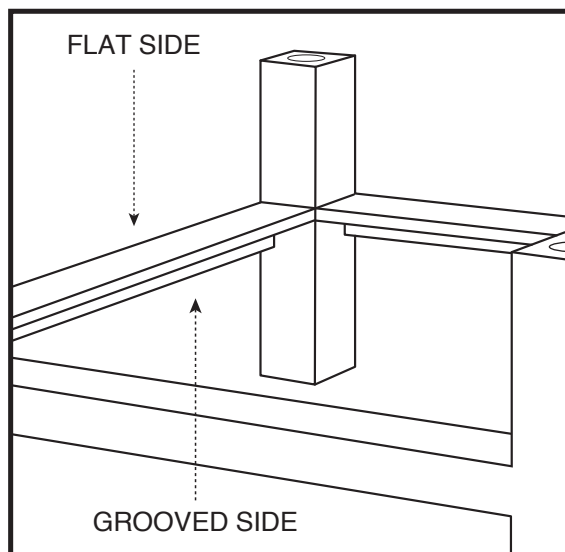


REVOLVING EARRING DISPLAY ASSEMBLY INSTRUCTIONS

#49412

STEP 3

SEAT THE L GROOVED SQUARE FRAME ONTO THE (4) POLES WITH THE FLAT SIDE FACING UP, AND THE GROOVED SIDE FACING DOWN (SEE INSET).

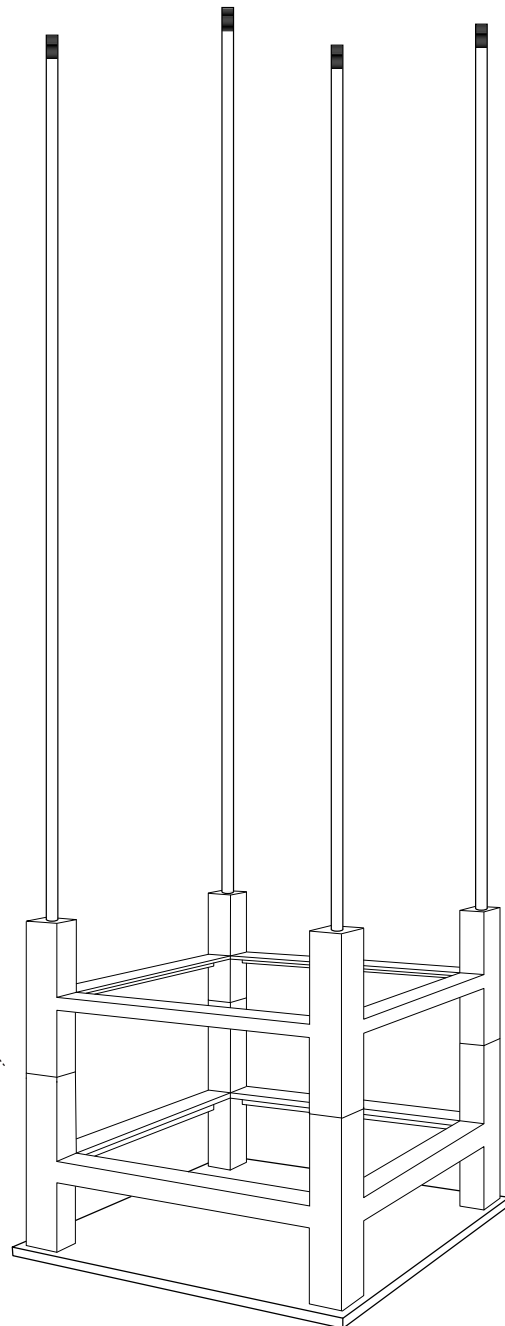
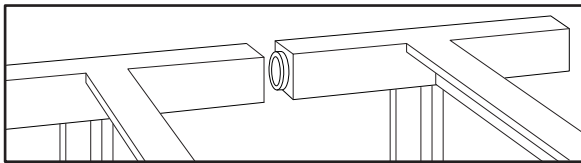


REVOLVING EARRING DISPLAY ASSEMBLY INSTRUCTIONS

#49412

STEP 4

STACK ALL REMAINING L GROOVED SQUARE FRAMES ONTO THE POLES ONE BY ONE UNTIL ALL (4) ARE SEATED.

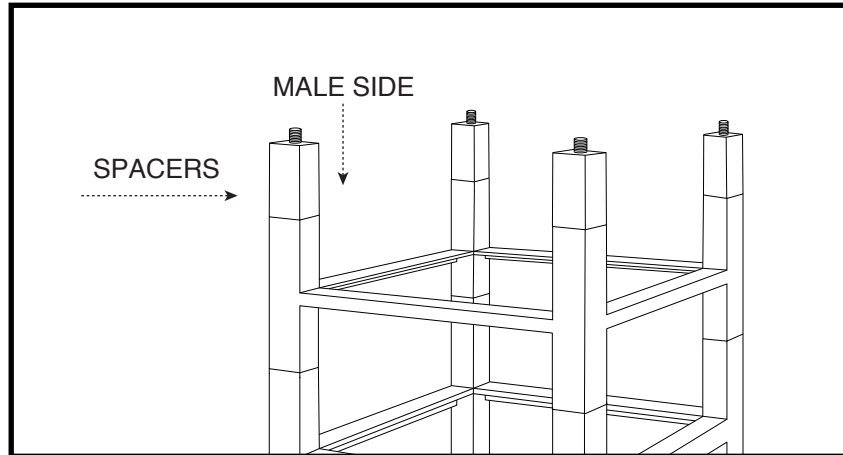


REVOLVING EARRING DISPLAY ASSEMBLY INSTRUCTIONS

#49412

STEP 5

INSERT (4) SPACERS THROUGH THE (4) POLES AND SEAT ON TOP OF THE LAST L GROOVED SQUARE FRAME. (MAKE SURE THE MALE SIDE OF THE SPACERS ARE FACING DOWN INTO THE (4) POLES).



STEP 6

ATTACH THE BASE BOARD WITH THE TURNING TABLE FACING UP WITH (4) NUTS TO THE (4) POLES. TIGHTEN SECURELY.

TURN DISPLAY OVER SO TURN TABLE BASE IS ON BOTTOM.

THIS COMPLETES THE ASSEMBLY.

