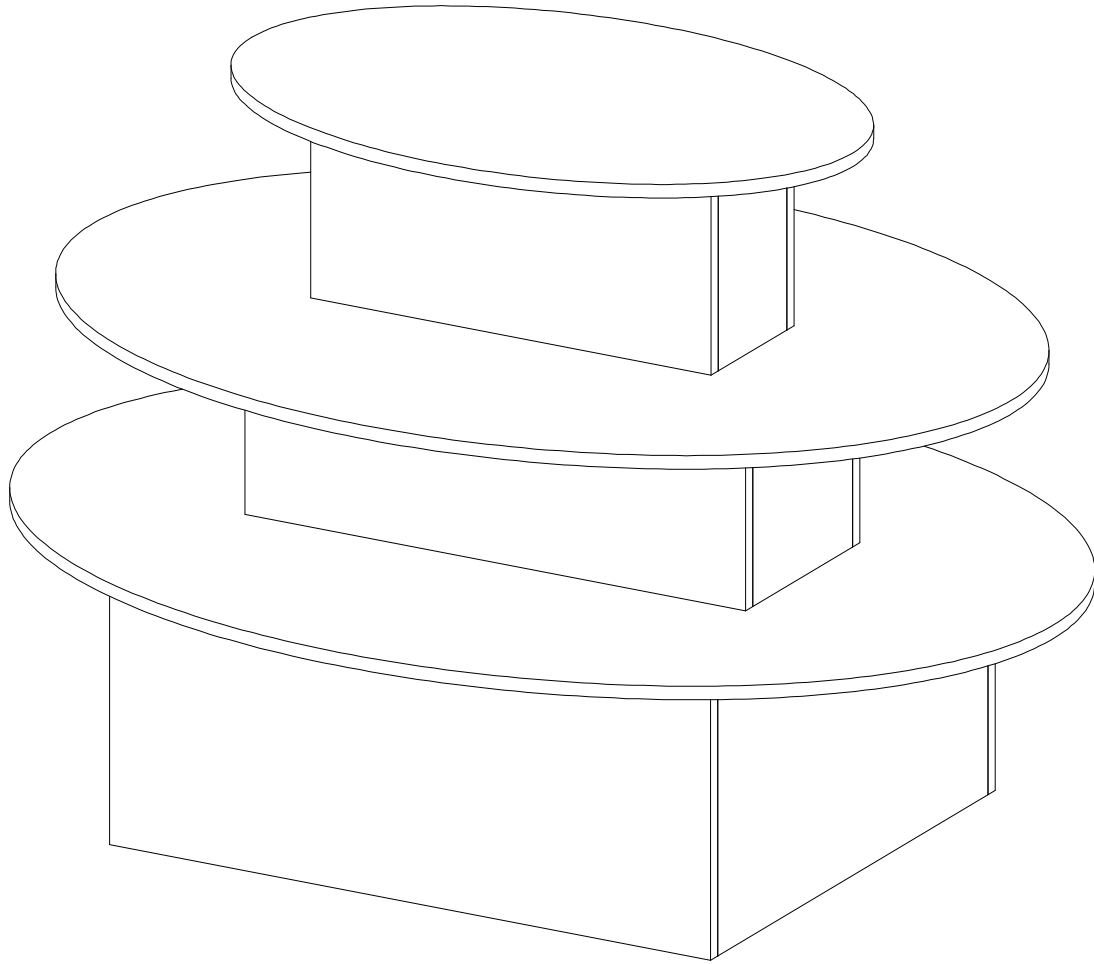
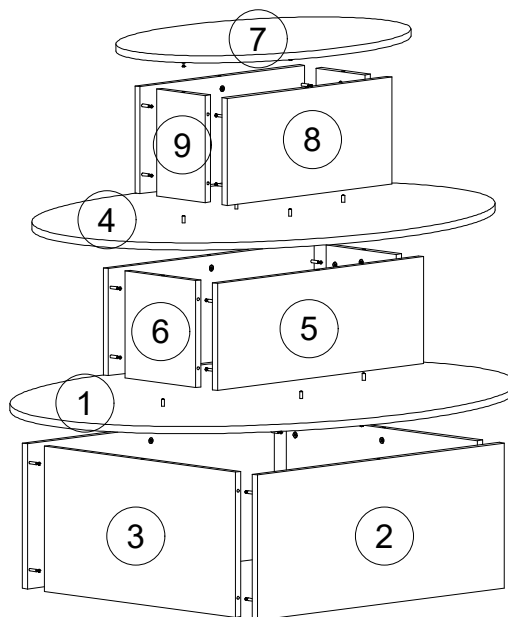


3 Tier Oval Table Assembly Instructions



COMPONENTS	
Part #	Qty
1	1
2	2
3	2
4	1
5	2
6	2
7	1
8	2
9	2
10	36
11	36
12	8
13	1



10



11



12



13



3 Tier Oval Table Assembly Instructions

Cam and Cam Bolt Construction

1. **Cam Bolt:** (Figure 1) Screw the cam bolt into the predrilled hole. Tighten until snug and the non-threaded portion of the bolt (A) touches the surface.
2. **Cams:** (Figure 2) Make sure the hex drive on the cam faces up, then push the cam down into large hole. If necessary, tap it in gently until it is even with the surface of the board. Turn the cam until the arrow (B) points at the hole (C) on the adjacent edge.
3. **Joining Panels:** (Figure 3) First line up all the cam bolts with their associated holes by partially inserting them into the holes. Once all of the bolts have been lined up and inserted, press the panels together until the panel surfaces touch. Use the allen wrench to turn the cams clockwise until they are snug.

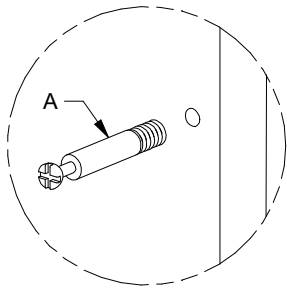


Figure 1

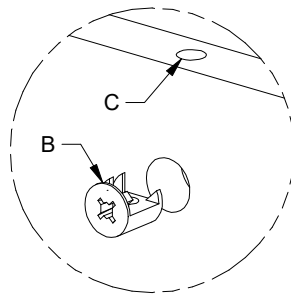


Figure 2

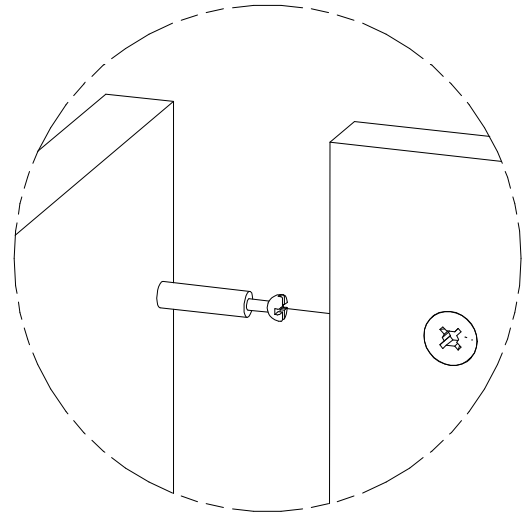
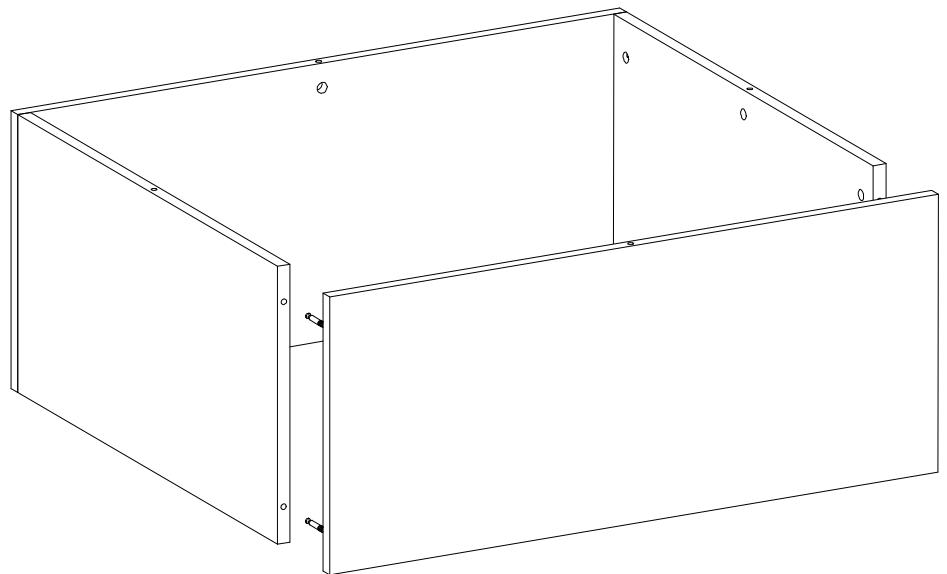


Figure 3

Step 1

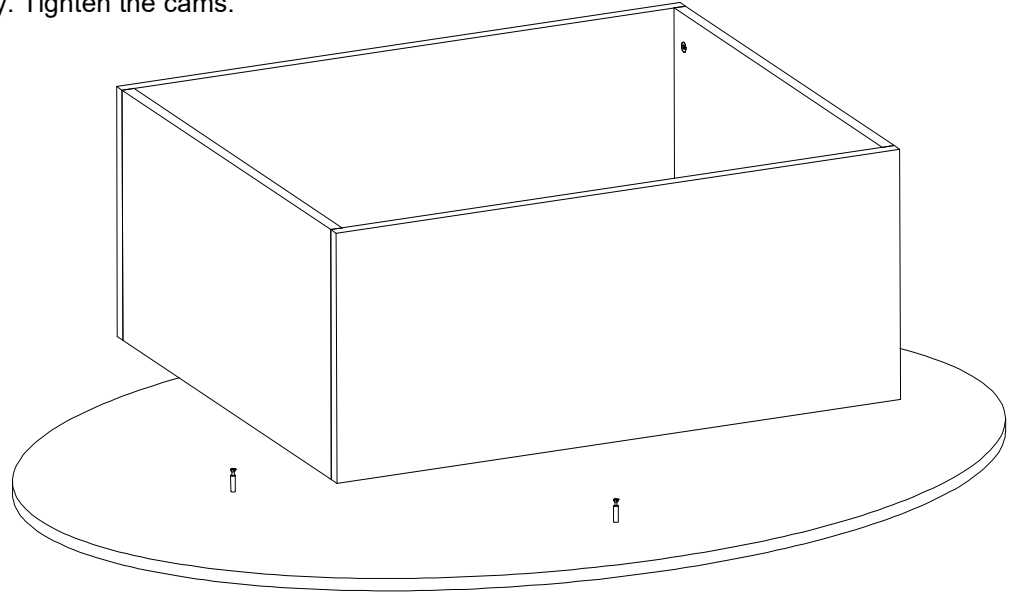
Insert cam bolts into the predrilled holes on the front and back panels (Part 2, 5 & 8). Insert cams into predrilled holes in left and right panels (Part 3, 6 & 7). Assemble each tier by aligning the panels as shown with the cams facing toward the inside and the edges with the holes are all facing up. Line up and insert the cam bolts with the associated holes and tighten all of the cams.



3 Tier Oval Table Assembly Instructions

Step 2

Turn the table tops so that the bottom is facing up. Install cam bolts into the predrilled holes with a screw driver. Turn over the base so that the holes in the edge of the board face down. Align the holes with the cam bolts the press down evenly. Tighten the cams.



Step 3

Turn all of the tables back to the correct direction with the tops up. Insert four dowels into the predrilled holes on the first tier table. Set the second tier onto the first tier table lining up the holes in the bottom of the second tier with the dowels. Next, insert the remaining four dowels into the predrilled holes on the second tier table and set the third tier onto the second tier table lining up the holes in the bottom of the third tier with the dowels.

