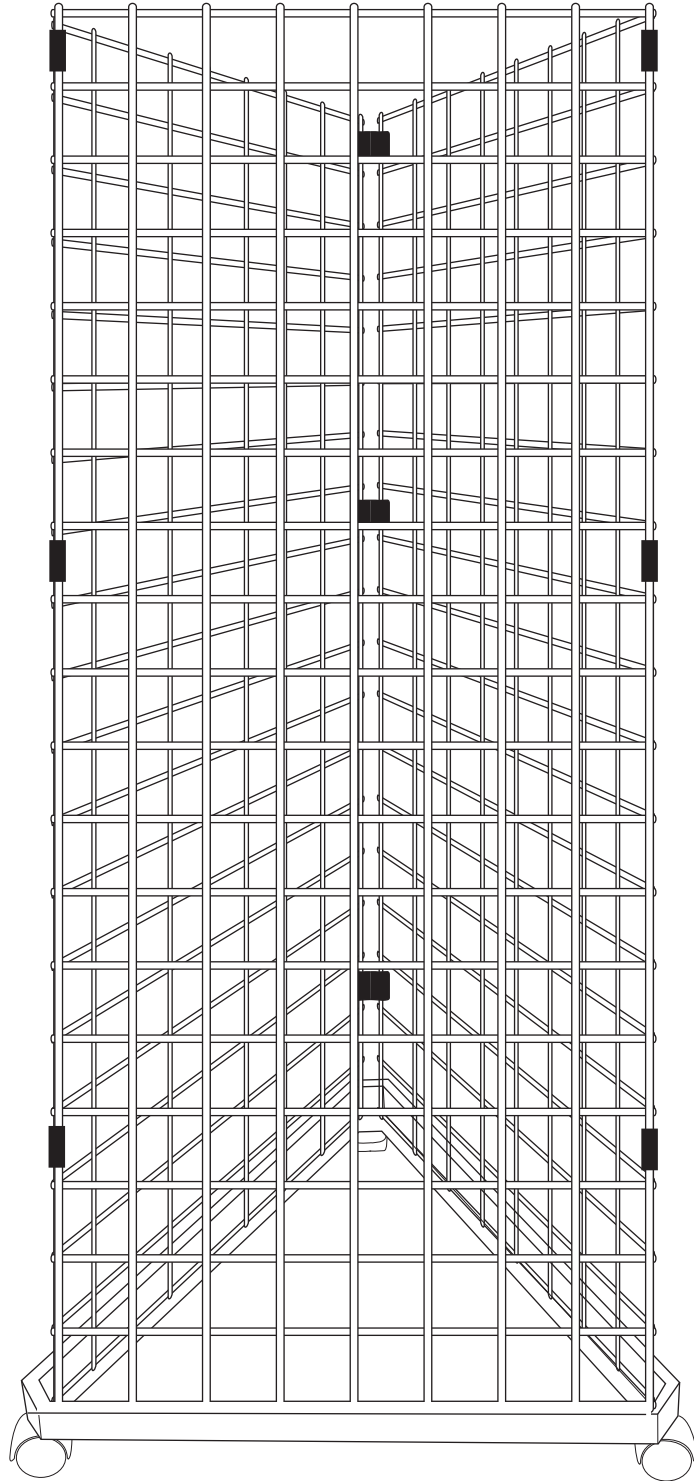


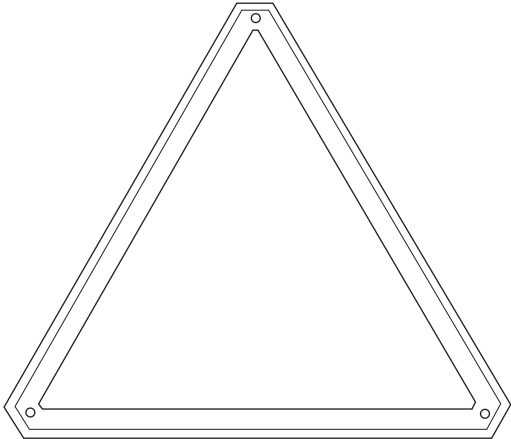
Assembly and parts list for
3' Grid Triangle Unit
Black #05370, White #05371



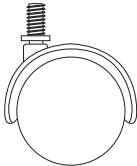
Assembly and parts list for 3' Grid Triangle Unit Black #05370, White #05371

Parts in Carton

1 - Triangle base



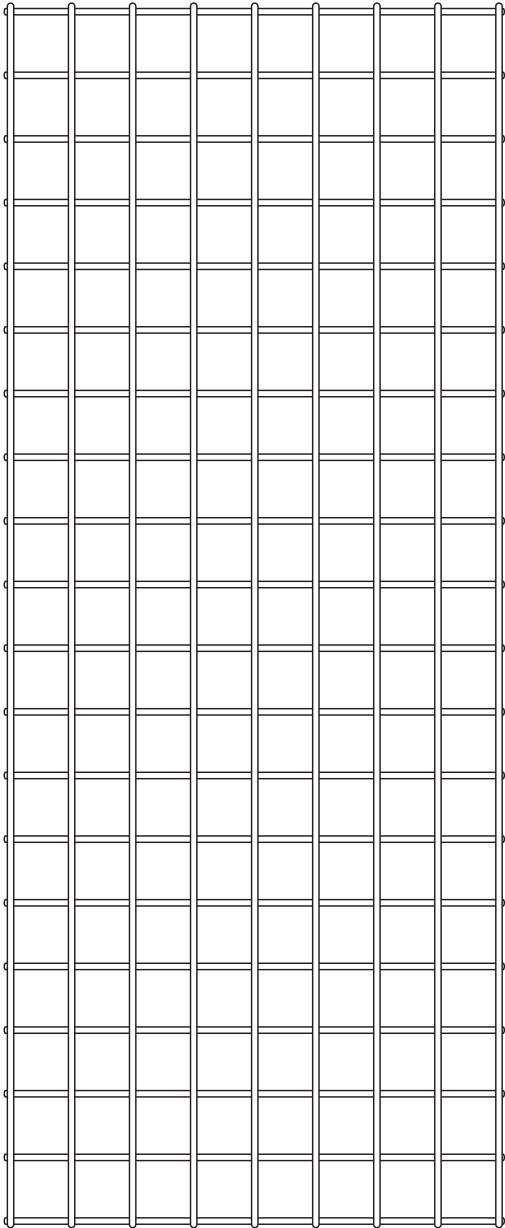
3 - Rolling casters



9 - Grid connectors



3 - 3' x 6' Grid panels



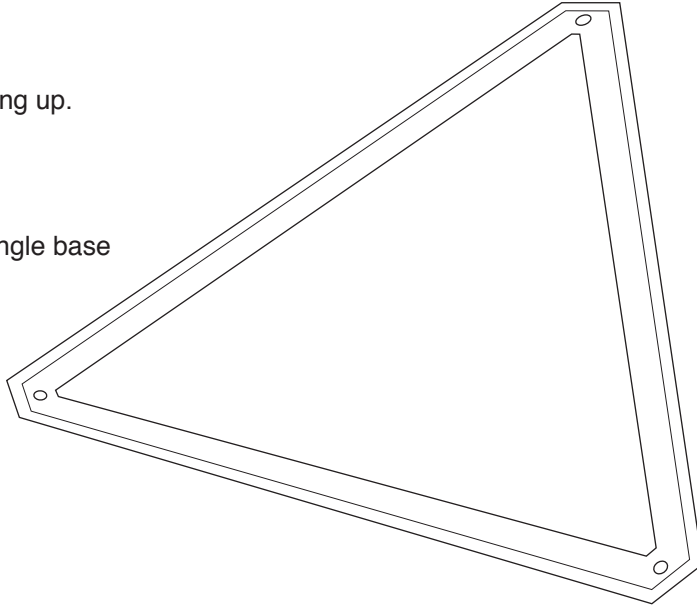
Assembly and parts list for 3' Grid Triangle Unit

Black #05370, White #05371

STEP 1

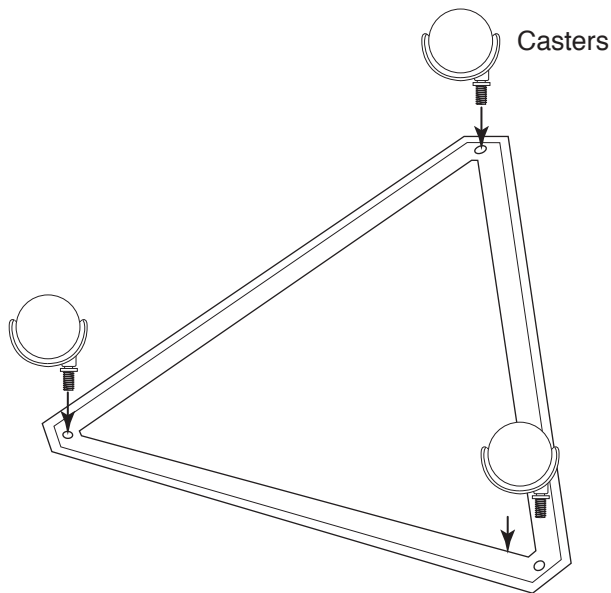
Place triangle base on the floor with holes facing up.

Triangle base



STEP 2

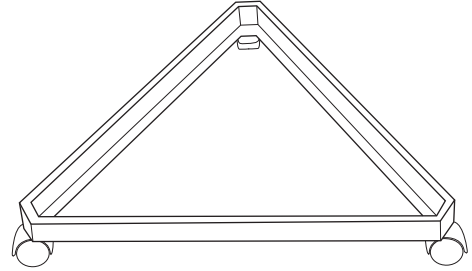
Insert rolling casters into threaded holes using a 1/2 inch open end wrench or crescent wrench.
Make sure all 3 casters are attached tightly.



Assembly and parts list for 3' Grid Triangle Unit Black #05370, White #05371

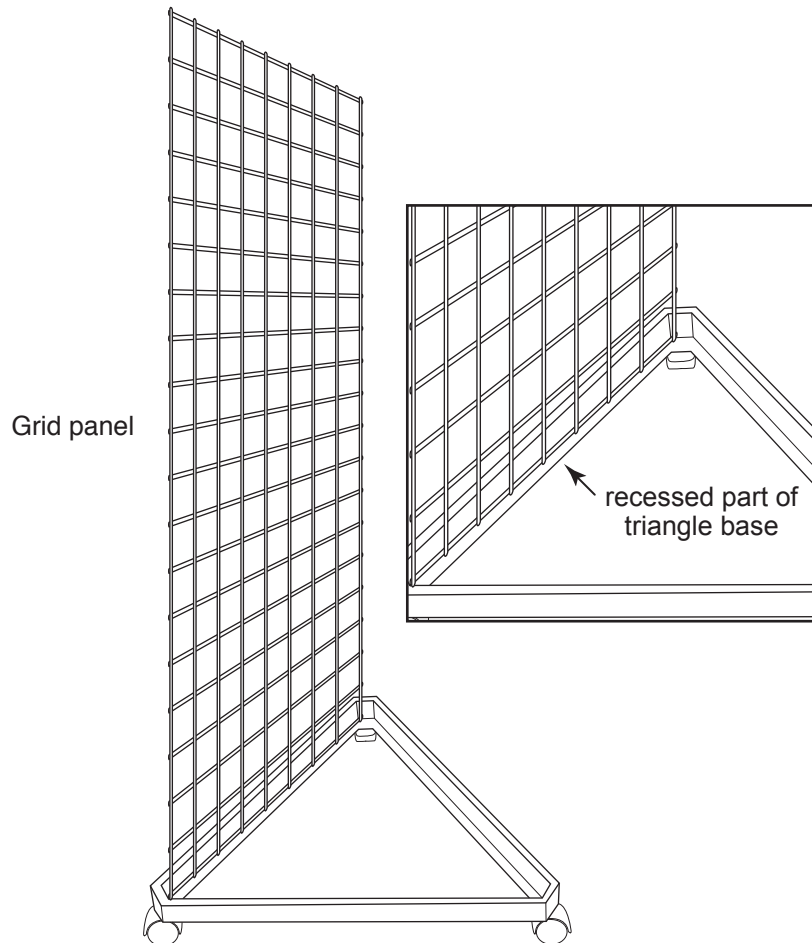
STEP 3

Place triangle base on the floor so casters are resting on the floor.



STEP 4

Set grid panels one at a time into the recessed part of the triangle base (this may require two people). One to hold the first grid panel in place while the second panel is placed on the opposite side.

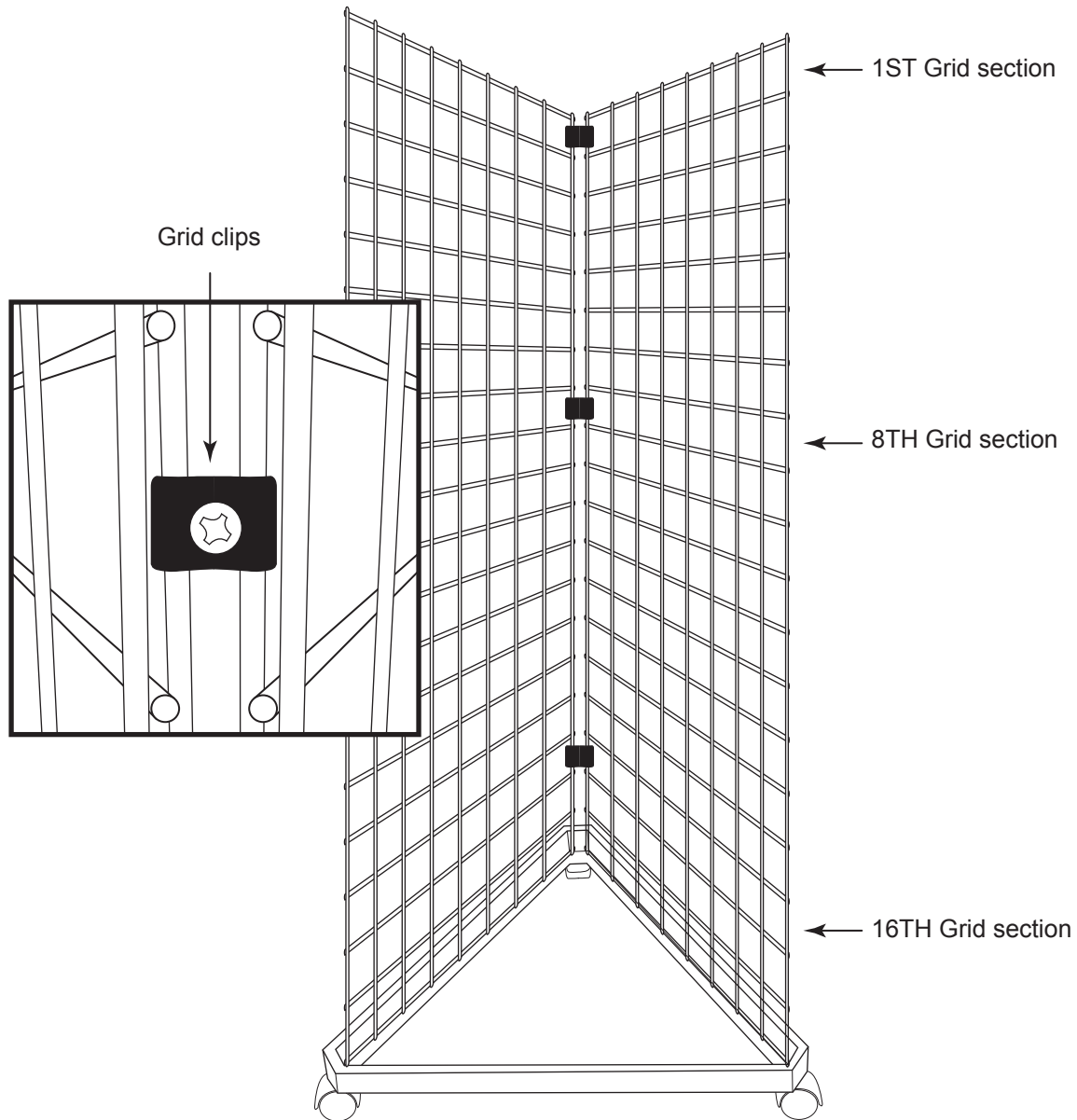


Assembly and parts list for 3' Grid Triangle Unit

Black #05370, White #05371

STEP 5

Once two grid panels are set, secure them using (3) grid connector. Place a grid connector on the 1st, 8th and 16th grid section using a phillips screwdriver (grid panels are made up of smaller grids within the panel).



Assembly and parts list for 3' Grid Triangle Unit

Black #05370, White #05371

STEP 6

Once you have the first two grid panels set and attached with connectors, set the 3rd and final panel by using the last (3) grid connectors. All together (9) grid connectors will be used to secure all three panels together. Again, secure grid connectors on the 1st, 8th and 16th grid sections using a phillips screwdriver. This will complete the assembly.

