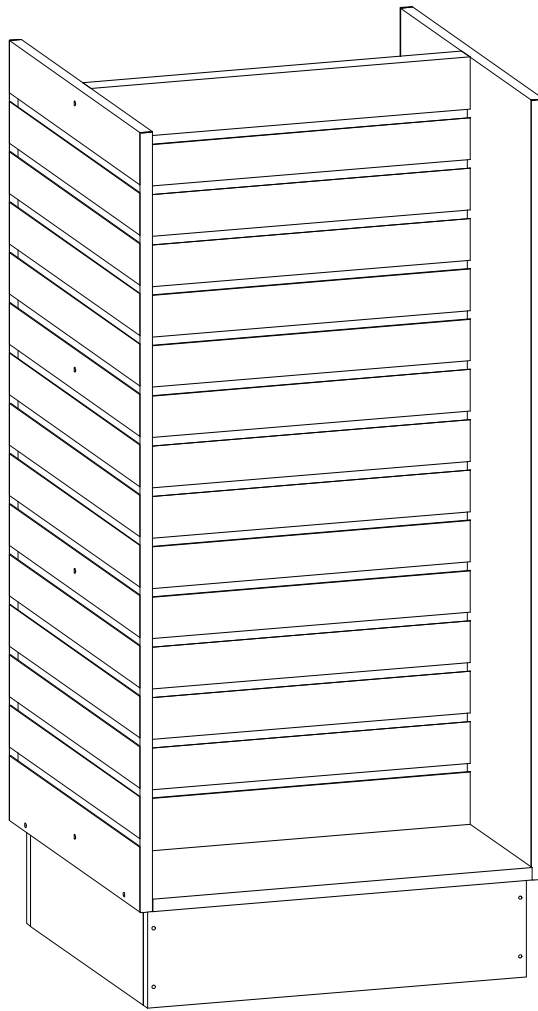
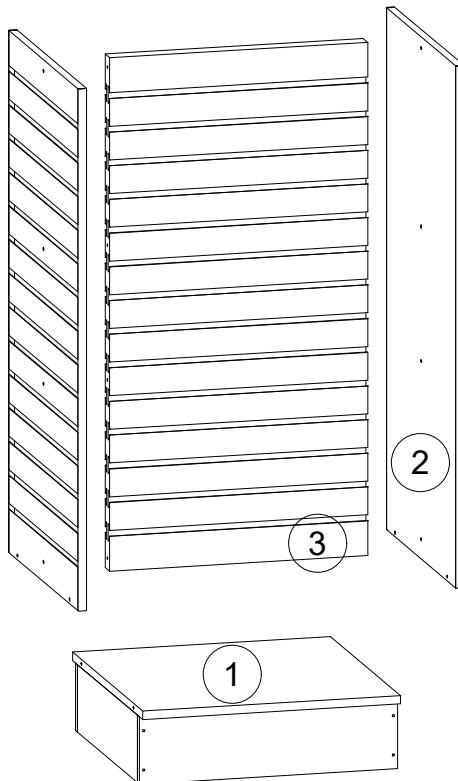


2' Slatwall H-Unit Assembly Instructions



COMPONENTS	
Part #	Qty
1	1
2	2
3	1
4	4
5	12
6	1



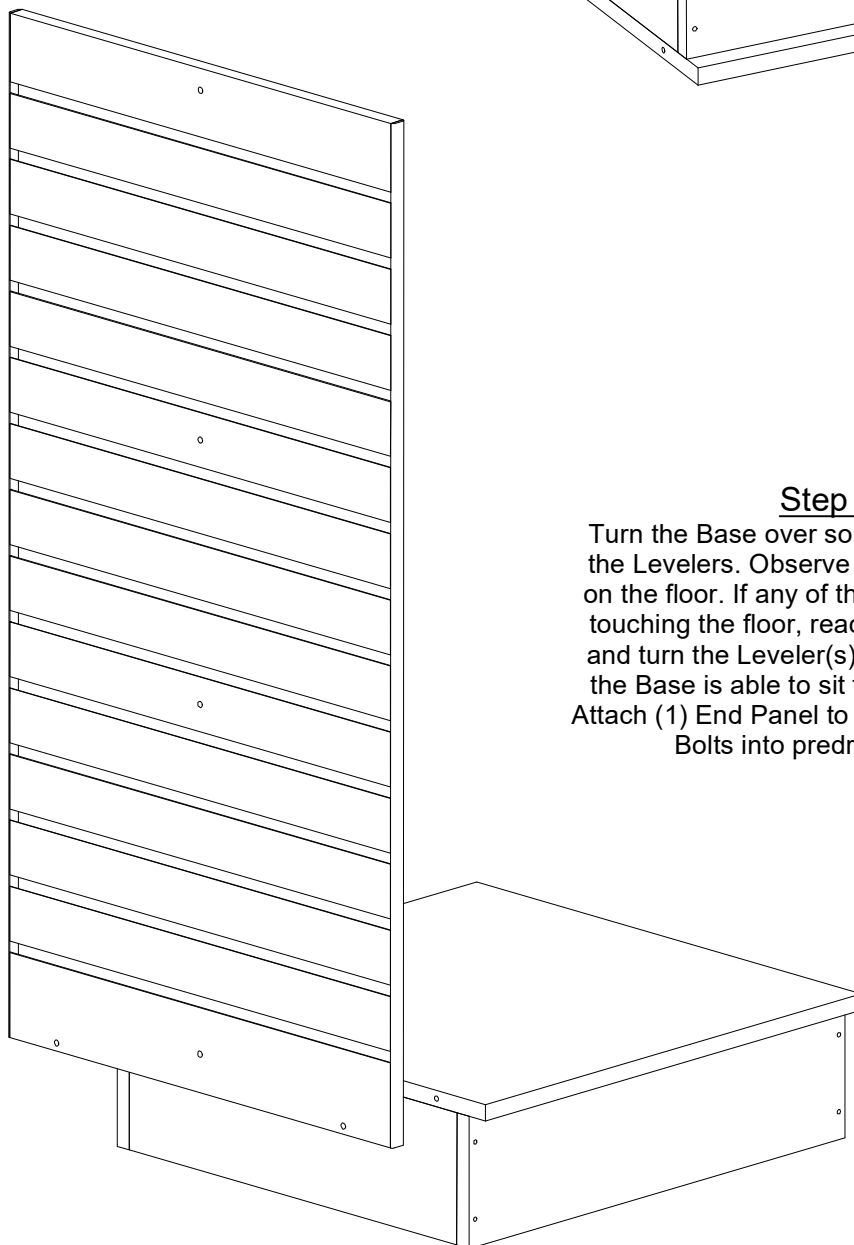
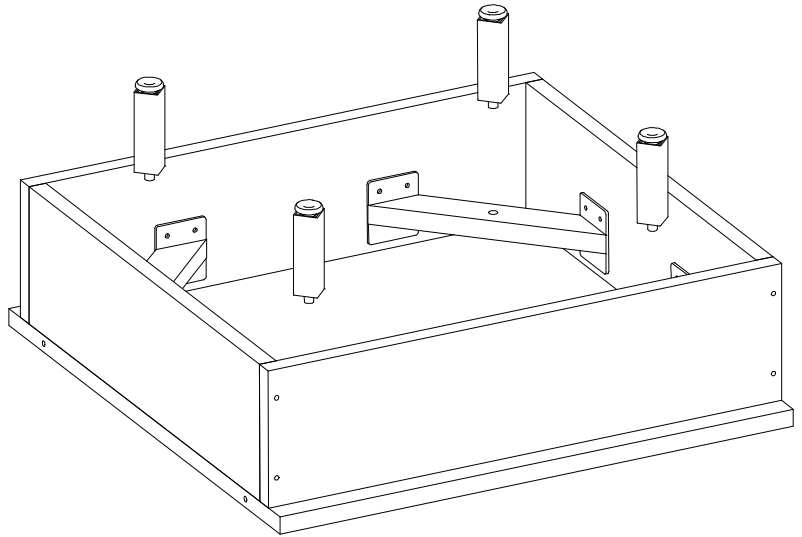
2' Slatwall H-Unit Assembly Instructions

Step 1

Turn the Base on its top. Insert the Legs with Levelers into threaded hole in Bracket, which is already attached to the Base.

Note:

If using casters, do not install leveling legs. Thread caster directly into the bracket.



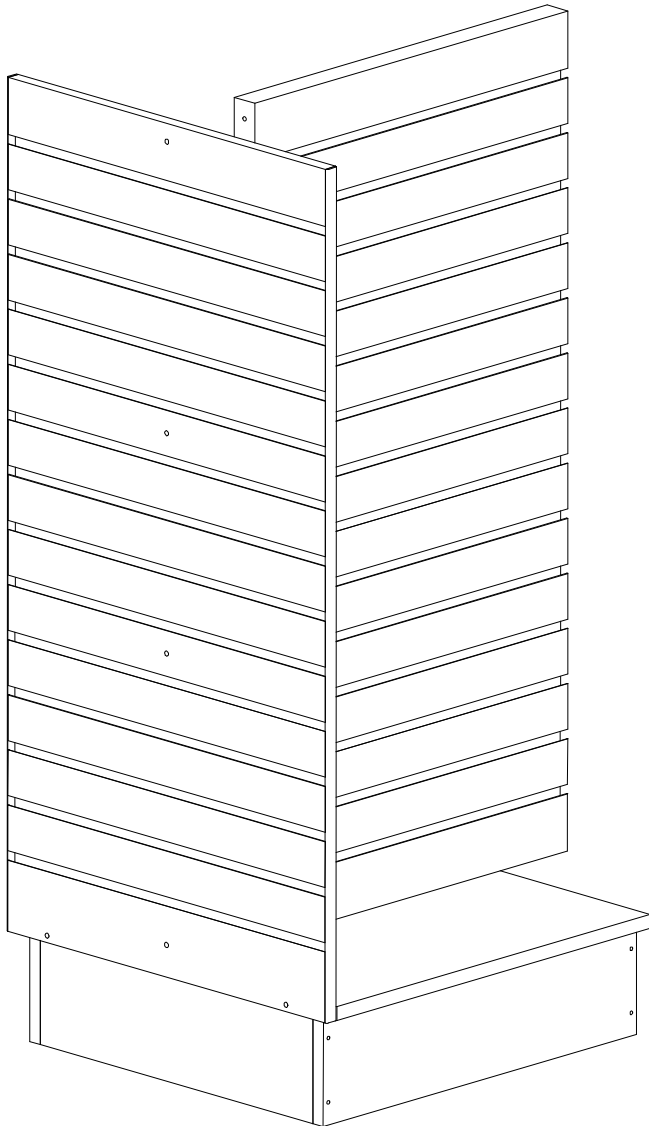
Step 2

Turn the Base over so that it is sitting on the Levelers. Observe how the Base sits on the floor. If any of the Levelers are not touching the floor, reach under the Base and turn the Leveler(s) in the Leg(s) until the Base is able to sit firmly on the floor. Attach (1) End Panel to Base using (2) Hex Bolts into predrilled holes.

2' Slatwall H-Unit Assembly Instructions

Step 3

Attach the Center Panel to the already assembled End Panel using (4) Hex Bolts. Start all Hex Bolts before tightening completely.



Step 4

Attach the second End Panel to the Center Panel using (4) Hex Bolts. Start all Hex Bolts before tightening completely. Next, thread the remaining (2) Hex Bolts through the End Panel into the Base.

