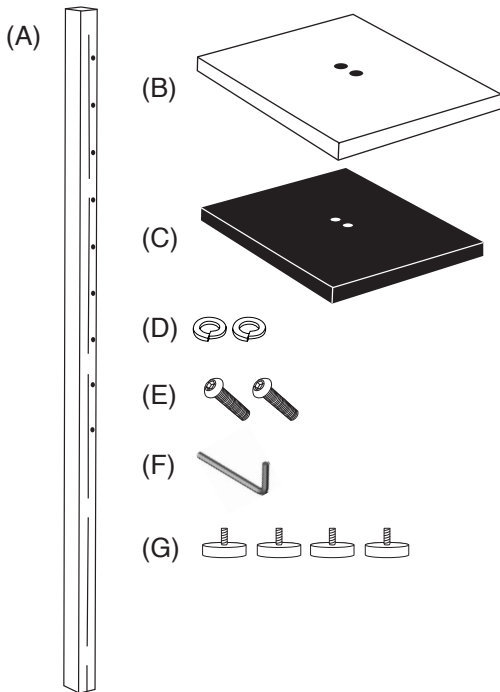


2-WAY GARMENT RACK WITH RECTANGULAR TUBING

Chrome: #28213, 28214, 28215

Black: #28210, 28211, 28212



PARTS LIST

- A. 1 - Upright
- B. 1 - Base cover
- C. 1 - Base weight
- D. 2 - Locking washers
- E. 2 - Bolts
- F. 1 - Allen wrench
- G. 4 - Floor levelers
- 2 - adjustable arms (not shown)

INSTRUCTIONS

1. Place base cover (B) over the top of base weight (C).
2. Position upright (A) over holes in base.
3. Attach upright, through base cover and weight, using the lock washers (D) and bolts (E).
4. Tighten bolts securely with allen wrench (F).
5. Screw levelers (G) into four corners of base weight.
6. Slide arms into upright by pressing buttons in and lowering to desired height. Adjust floor levelers as needed.

