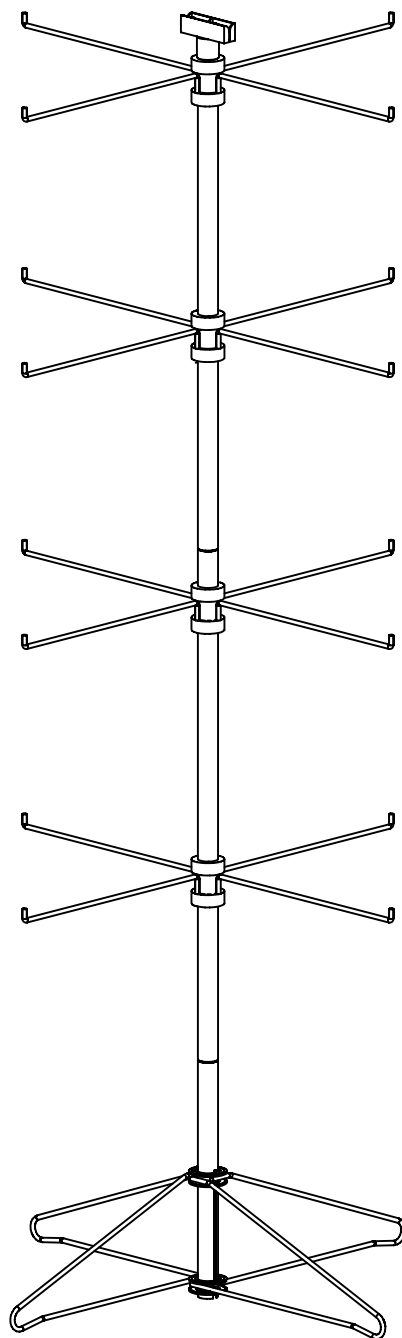
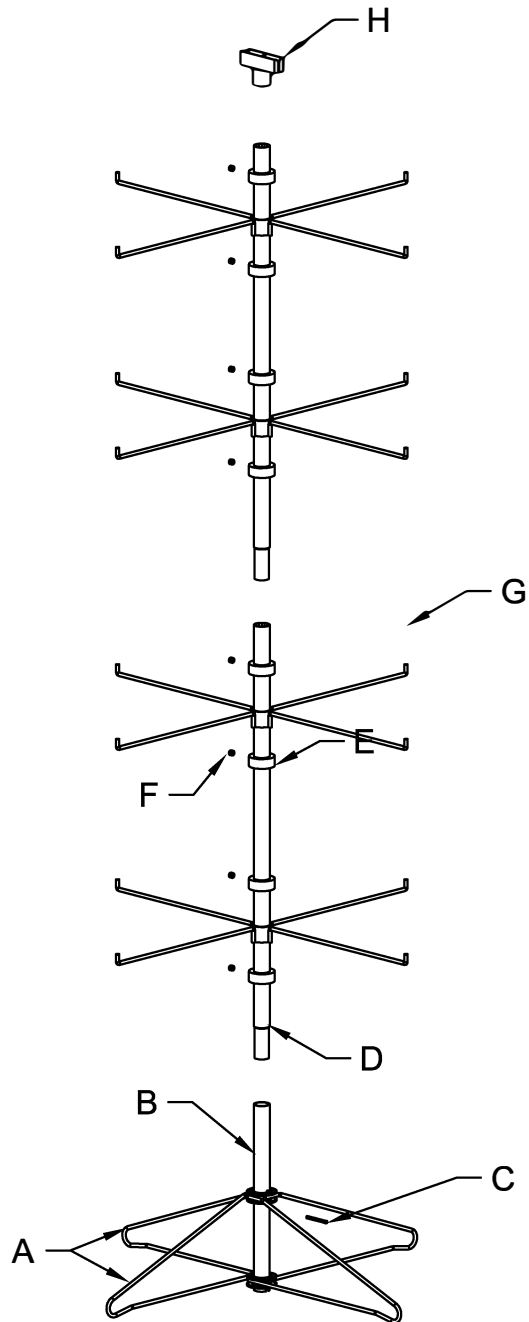


Floor Spinner Rack  
# 29011  
Assembly Instructions





## Components:

A: Leg  
Qty 2

B: Base Upright  
Qty 1

C: Cotter Pin  
Qty 1

D: Upright  
Qty 2

E: Collar  
Qty 4

F: Set Screw  
Qty 8

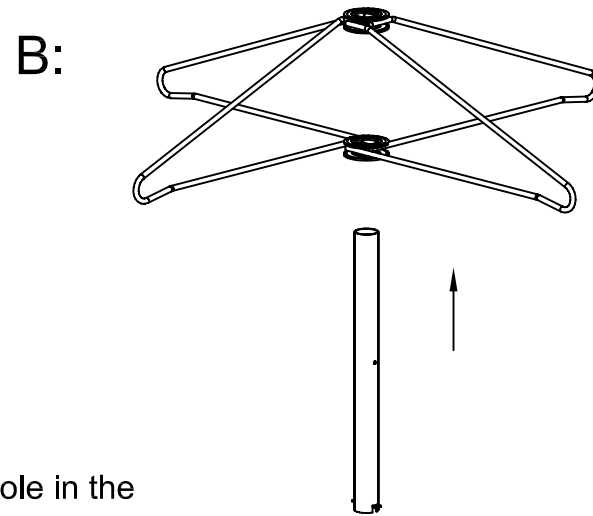
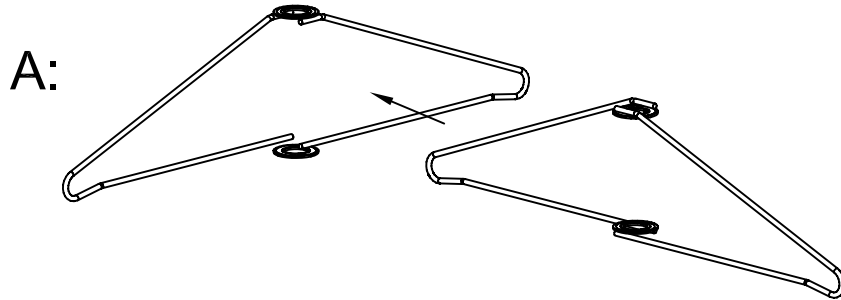
G: Hook  
Qty 4

H: Sign Holder  
Qty 1

Pliers will be needed to assemble this display.

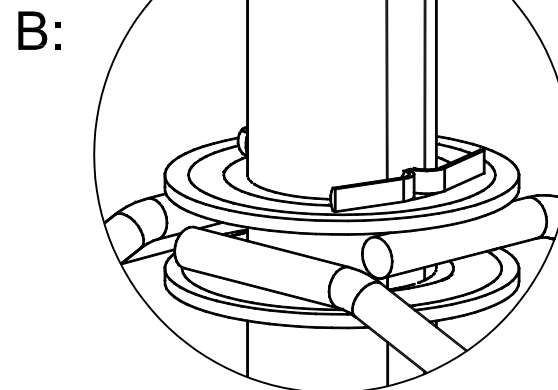
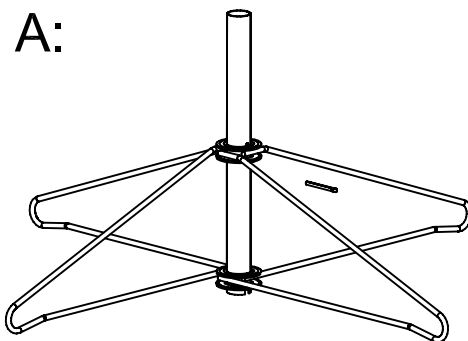
## Step 1

Slide legs together (A). Be sure that the plates are on the outsides of the wires. Hold the legs in place and insert the base upright through the bottom of the legs (B).



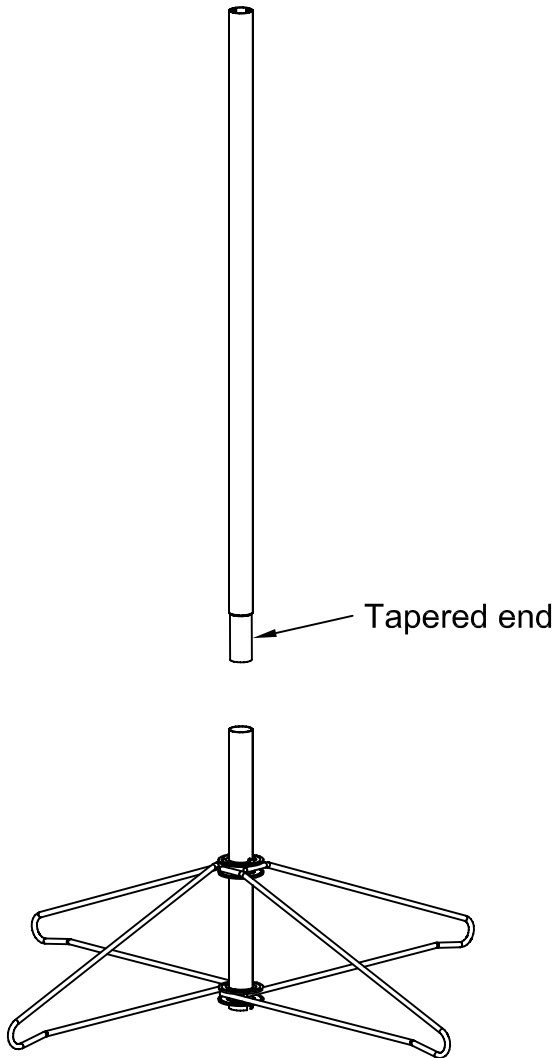
## Step 2

Insert cotter pin through the hole in the base upright (A). Once the cotter pin is completely inserted, use pliers to spread the cotter pin apart. Wrap the cotterpin around the base upright (B).



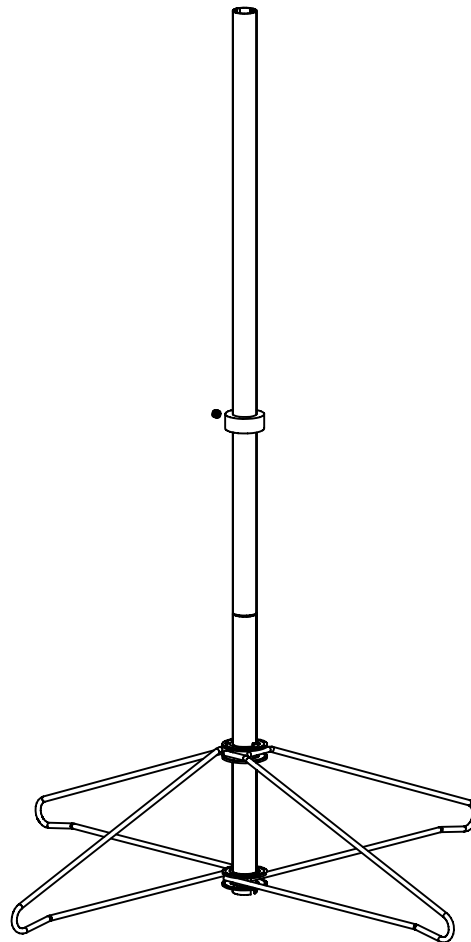
### Step 3

Insert one upright into the base upright.  
Note: Tapered end.



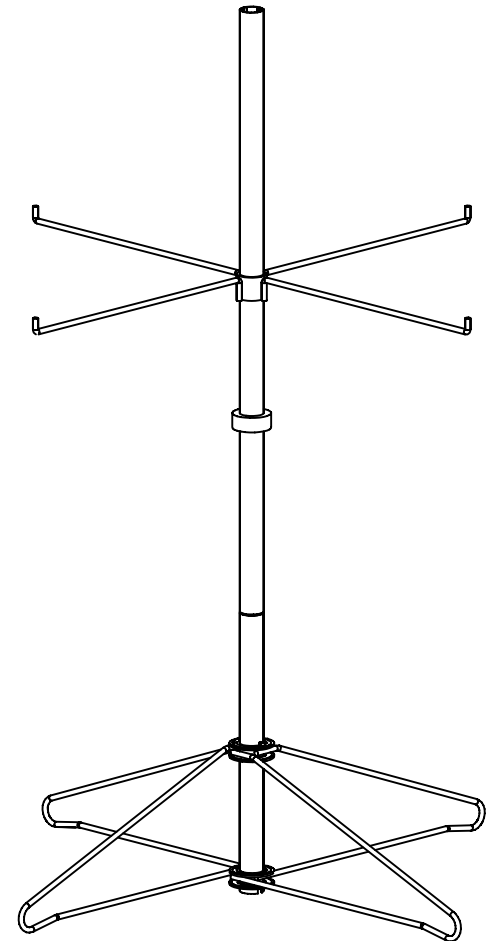
### Step 4

Slide a collar on the upright to the desired location. Thread the set screw into the collar and tighten securely.



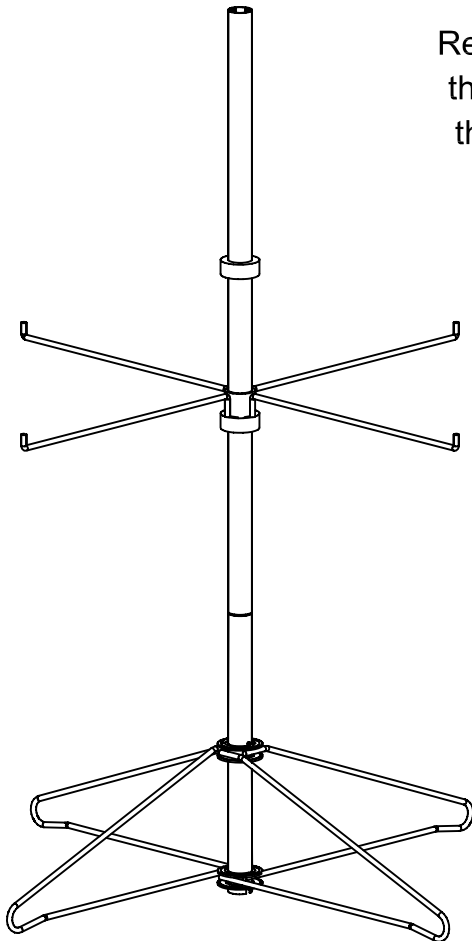
### Step 5

Slide on a hook.  
Note: The hook just rests on the collar



### Step 6

Slide a collar onto the top of the hook. Tighten set screw. Note: Do not locate collar too close to the hook as it needs to spin.

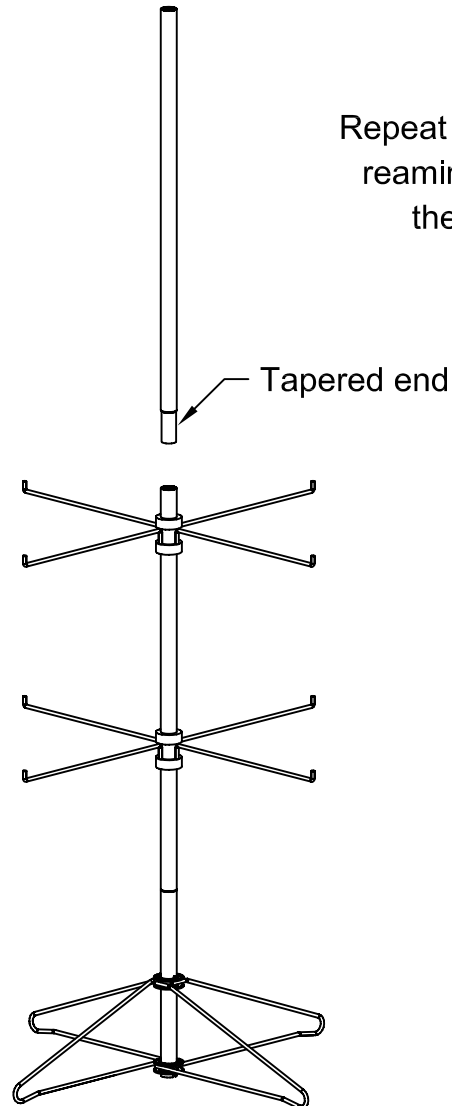


### Step 7

Repeat Steps 4-6 for the second hook on the bottom upright.

### Step 8

Insert the remaining upright into the base upright. Note: Tapered end.



### Step 9

Repeat Steps 4-6 for the remaining 2 hooks on the top upright.

Step 10  
Slide the sign holder on the top of the upright.

