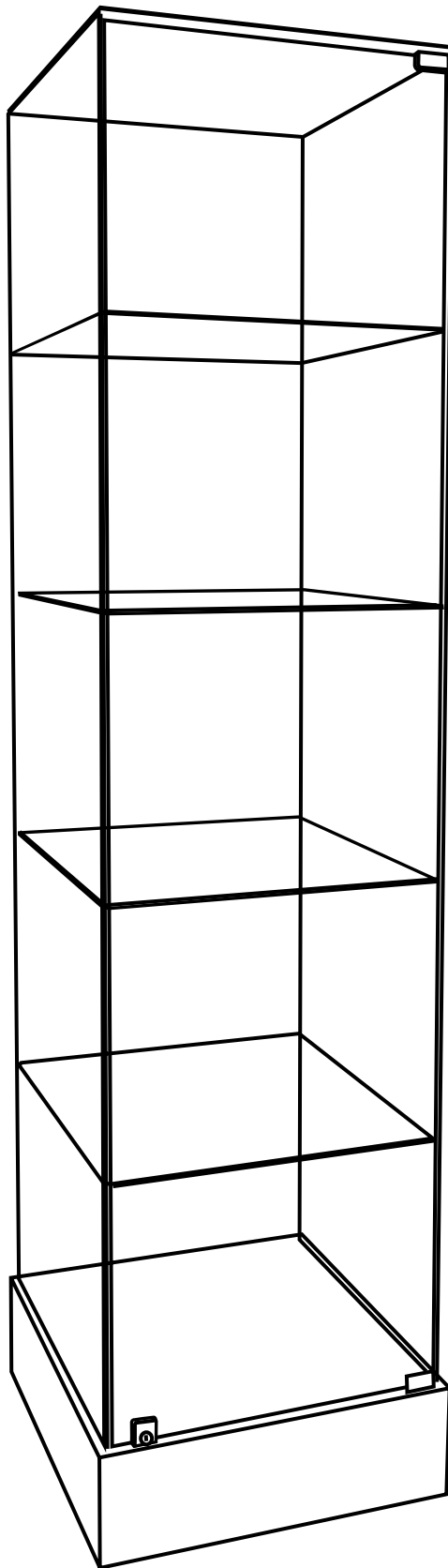


# FRAMELESS GLASS TOWER




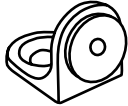




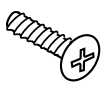



#16523

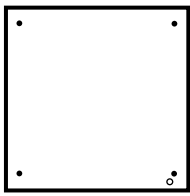


# FRAMELESS GLASS TOWER

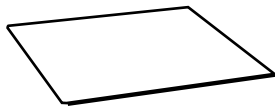
#16523

## Parts List:

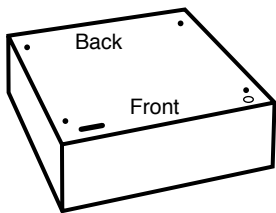
|   |  |  |   |   |   |   |
|---|--|--|---|---|---|---|
| <p><b>(A)</b></p>  <p>"M" bracket<br/>Qty. 2</p>   | <p><b>(B)</b></p>  <p>"L" bracket<br/>Qty. 14</p> | <p><b>(C)</b></p>  <p>Door hinges<br/>Qty. 2</p>     | <p><b>(D)</b></p>  <p>Door stop<br/>Qty. 1</p> | <p><b>(E)</b></p>  <p>Door lock<br/>Qty. 1</p> |   |   |
| <p><b>(F)</b></p>  <p>Plastic tube<br/>Qty. 24</p> | <p><b>(G)</b></p>  <p>Nuts<br/>Qty. 8</p>         | <p><b>(H)</b></p>  <p>Plastic sleeves<br/>Qty. 38</p> | <p><b>(I)</b></p>  <p>7/8" Bolt<br/>Qty. 24</p>  | <p><b>(J)</b></p>  <p>1/2" Bolt<br/>Qty. 14</p> | <p><b>(K)</b></p>  <p>Flat head screw<br/>Qty. 1</p> | <p><b>(L)</b></p>  <p>Wood screws<br/>Qty. 4</p> |



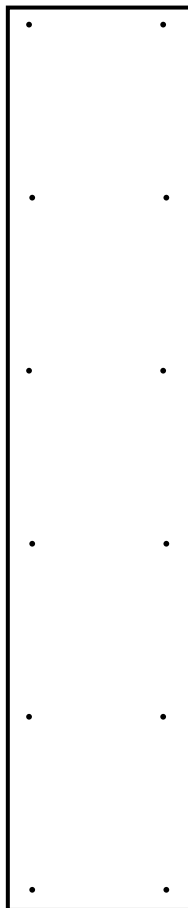
**(M)** Glass top  
Qty. 1



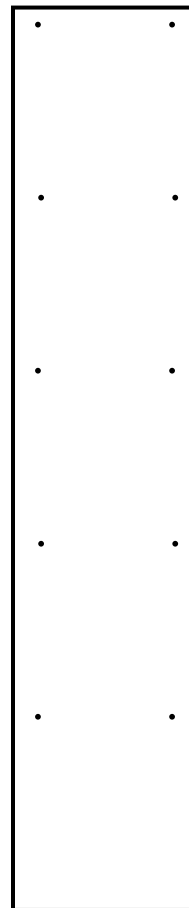
**(N)** Glass shelves  
Qty. 4



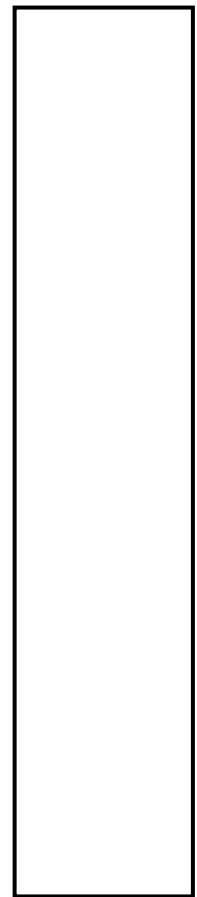
**(O)** Wood base  
Qty. 1



**(P)** Glass sides  
Qty. 2



**(Q)** Glass back  
Qty. 1



**(R)** Glass door  
Qty. 1

# FRAMELESS GLASS TOWER

#16523

Place wood base on a level surface.

Note: Side glass panels (P) have 12 pre-drilled holes. Back glass panel (Q) has 10 pre-drilled holes.

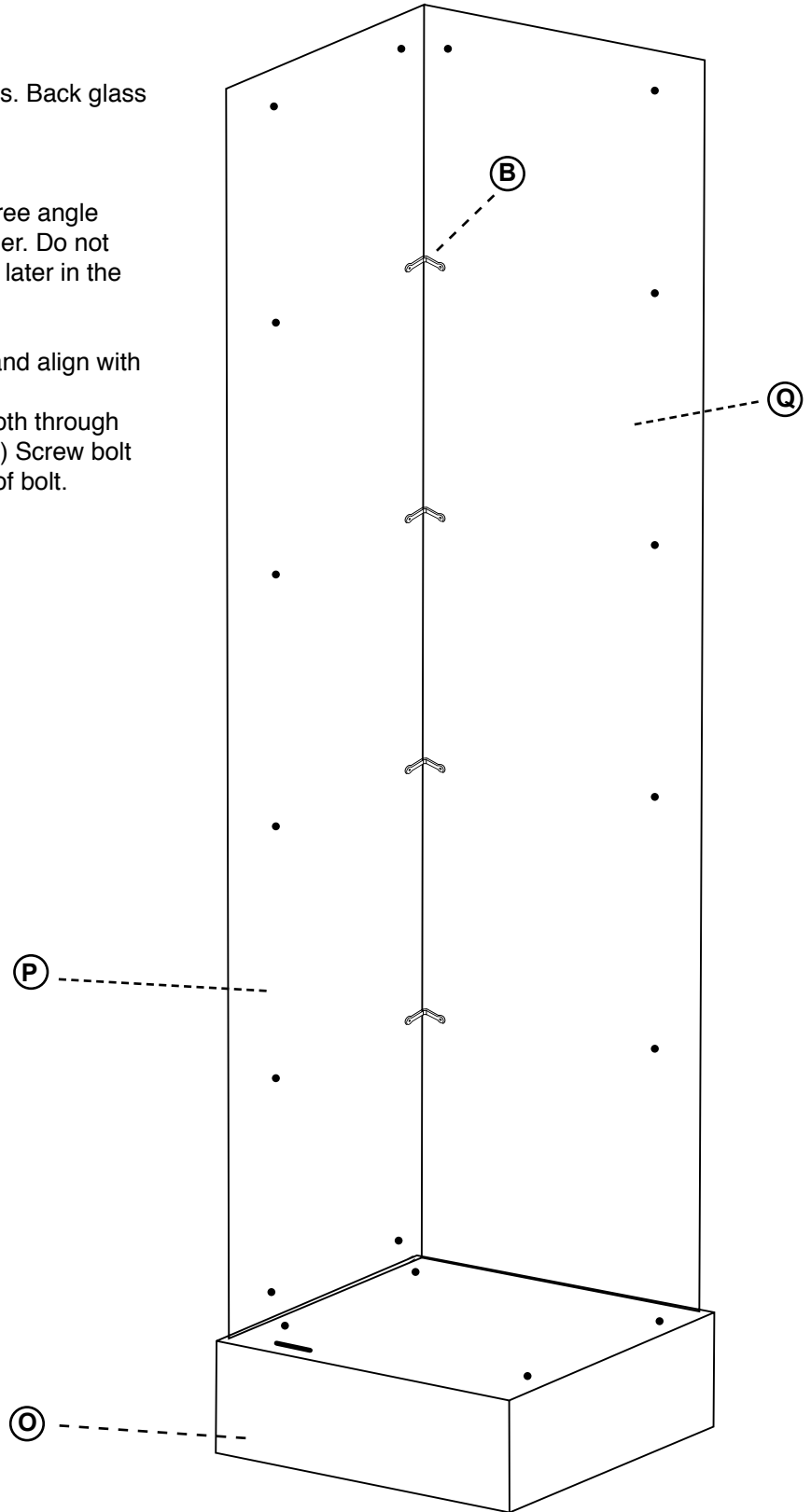
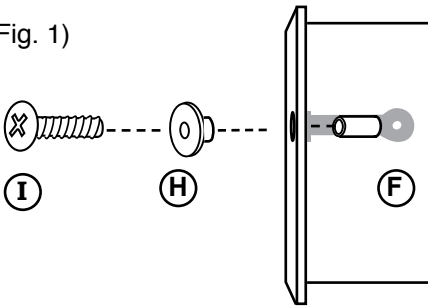
## STEP 1

Join one side panel and the back panel at a 90 degree angle using four "L" brackets (B) along inside vertical corner. Do not use the top holes on either panel. They will be used later in the process.

Place "L" bracket (B) on the inside of glass panels and align with holes.

Insert 7/8" bolt (I) into plastic sleeve H) then slide both through pre-drilled hole from the outside of the glass. (Fig. 1) Screw bolt through bracket and slide plastic tube (F) over end of bolt.

(Fig. 1)



# FRAMELESS GLASS TOWER

#16523

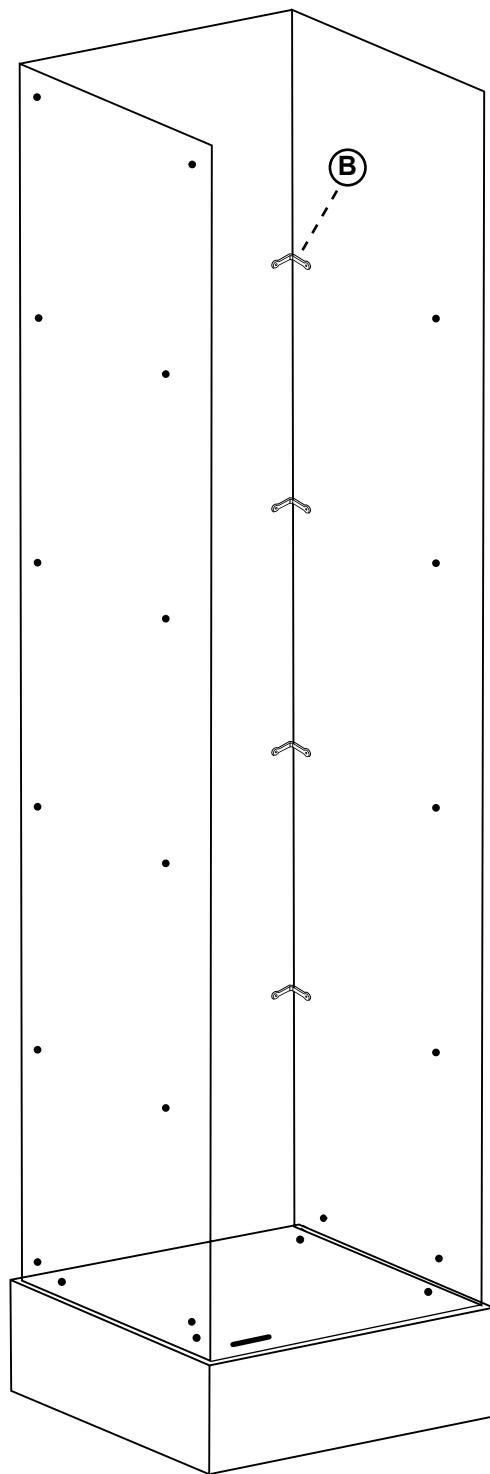
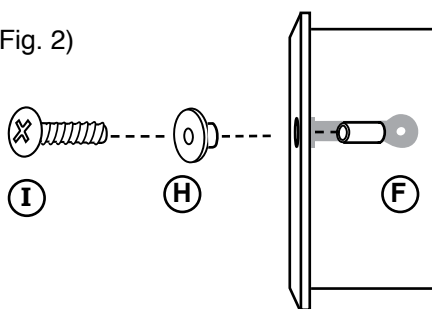
## STEP 2

Repeat step 1 to add other side panel.

Place "L" bracket (B) on the inside of glass panels and align with holes.

Insert 7/8" bolt (I) into plastic sleeve (H) then slide both through pre-drilled hole from the outside of the glass. (Fig. 2) Screw bolt through bracket and slide plastic tube (F) over end of bolt.

(Fig. 2)



# FRAMELESS GLASS TOWER

#16523

Attach sides to wood base.

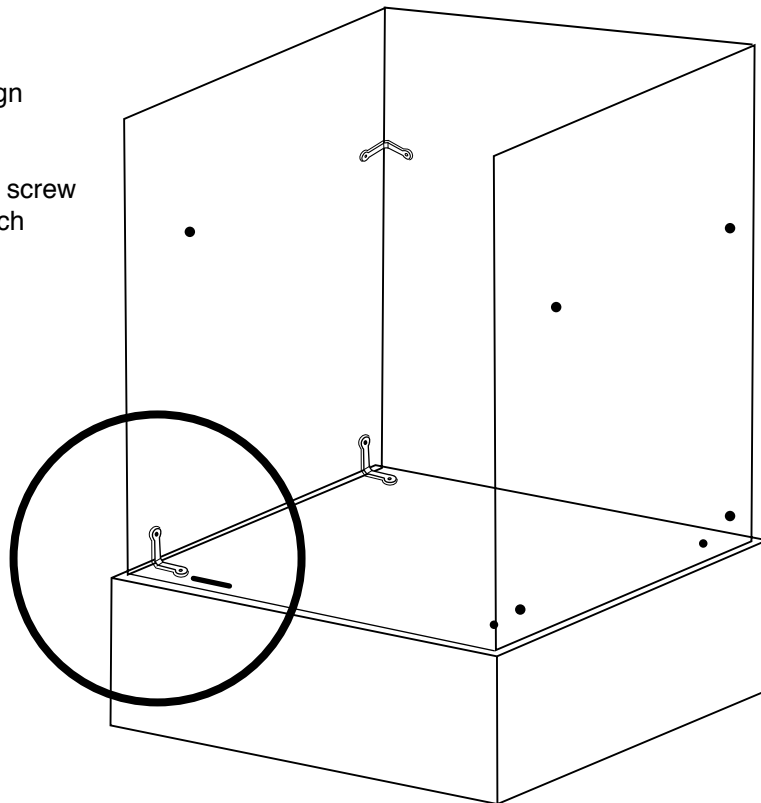
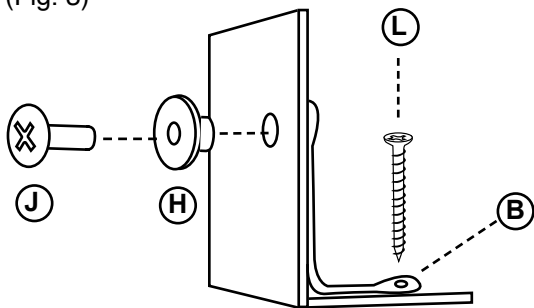
## STEP 3

Place "L" bracket (B) on the inside of glass panel and align with holes in glass and wood base.

Insert 1/2" bolt (J) into plastic sleeve (H) then slide both through pre-drilled hole from the outside of the glass and screw into top of bracket. (Fig. 3). Use a wood screw (L) to attach bracket to wood base.

Repeat step 3 for all four locations on wood base.

(Fig. 3)



# FRAMELESS GLASS TOWER

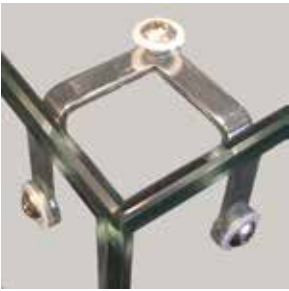
#16523

Attach top to sides and front.

## STEP 4

Attach "M" bracket (A) to each corner at the back of the tower.

Insert 1/2" bolt (J) into plastic sleeve (H) from the outside of the glass, slide both through pre-drilled holes and screw into the bracket on the inside.

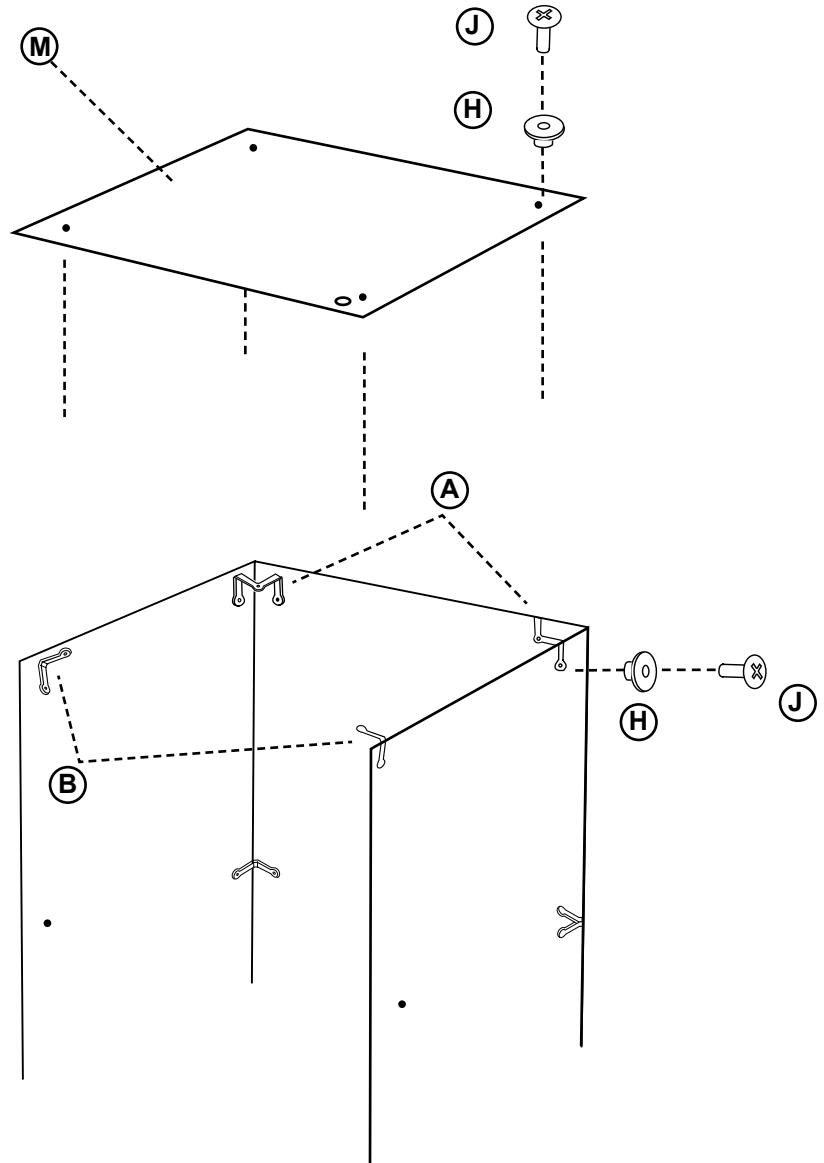


Next, place an "L" bracket (B) on the inside of each glass side panel using holes closest to the door.

Insert 1/2" bolt (J) into plastic sleeve (H) and slide both through pre-drilled hole from the outside of the glass. Screw into bracket hole.



Repeat the above steps for each hole on sides and top glass panels. Secure top glass in place.



# FRAMELESS GLASS TOWER

#16523

Shelf supports and shelves

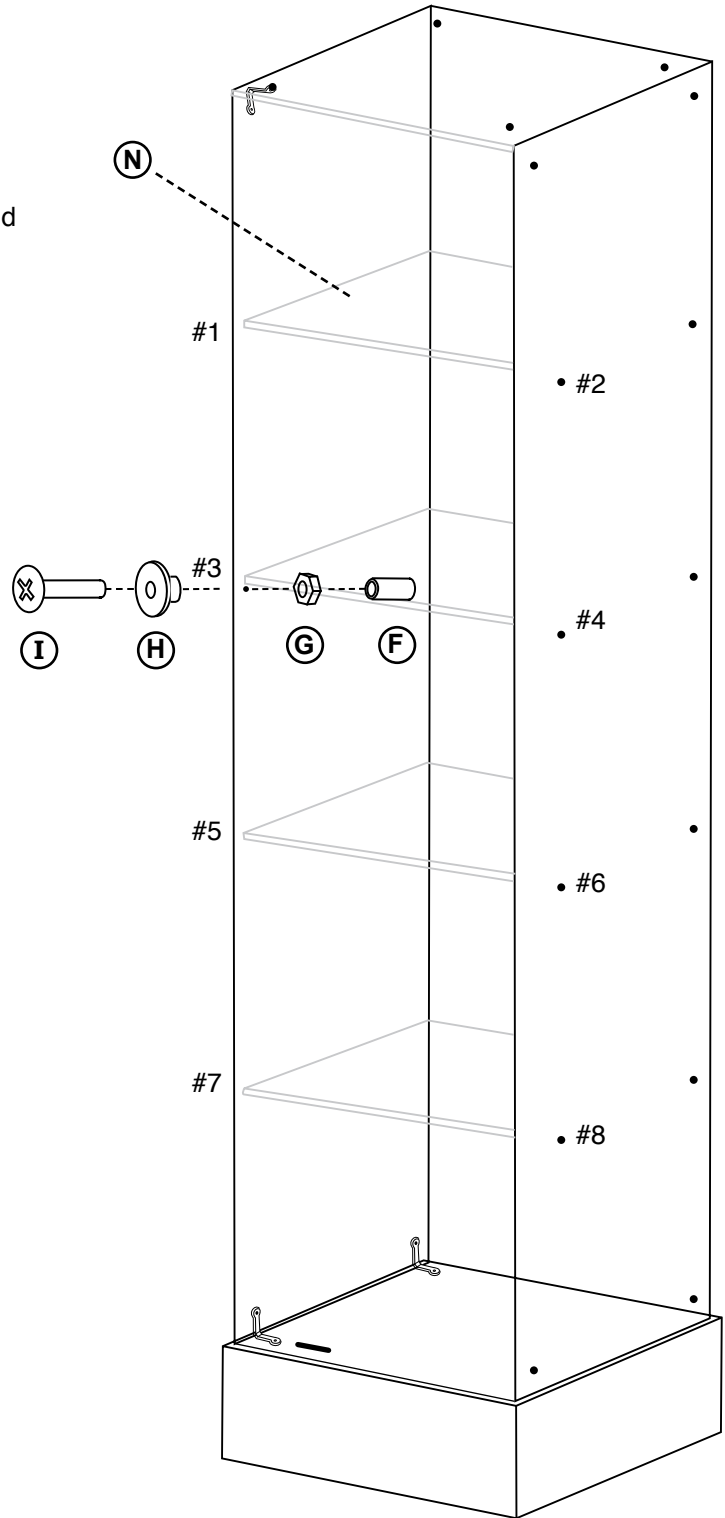
## STEP 5

Along the front edge of each side panel are four pre-drilled holes for shelving.

In each hole, insert a 7/8" bolt (I) and plastic sleeve (H) through the hole from the outside. Once through the hole, add a nut (G) and tighten. Slide a plastic tube (F) over the end of the bolt.

Repeat these steps for all eight locations.

Once bolts are in place, add shelves.



# FRAMELESS GLASS TOWER

#16523

Door hinges and door

## STEP 6

Attach one door hinge (C) to bottom, right corner of door panel (R) with screws on the inside of the door and post pointing down. Tighten pre-attached screws to secure hinge tightly to glass. Insert hinge post into hole on wood base.



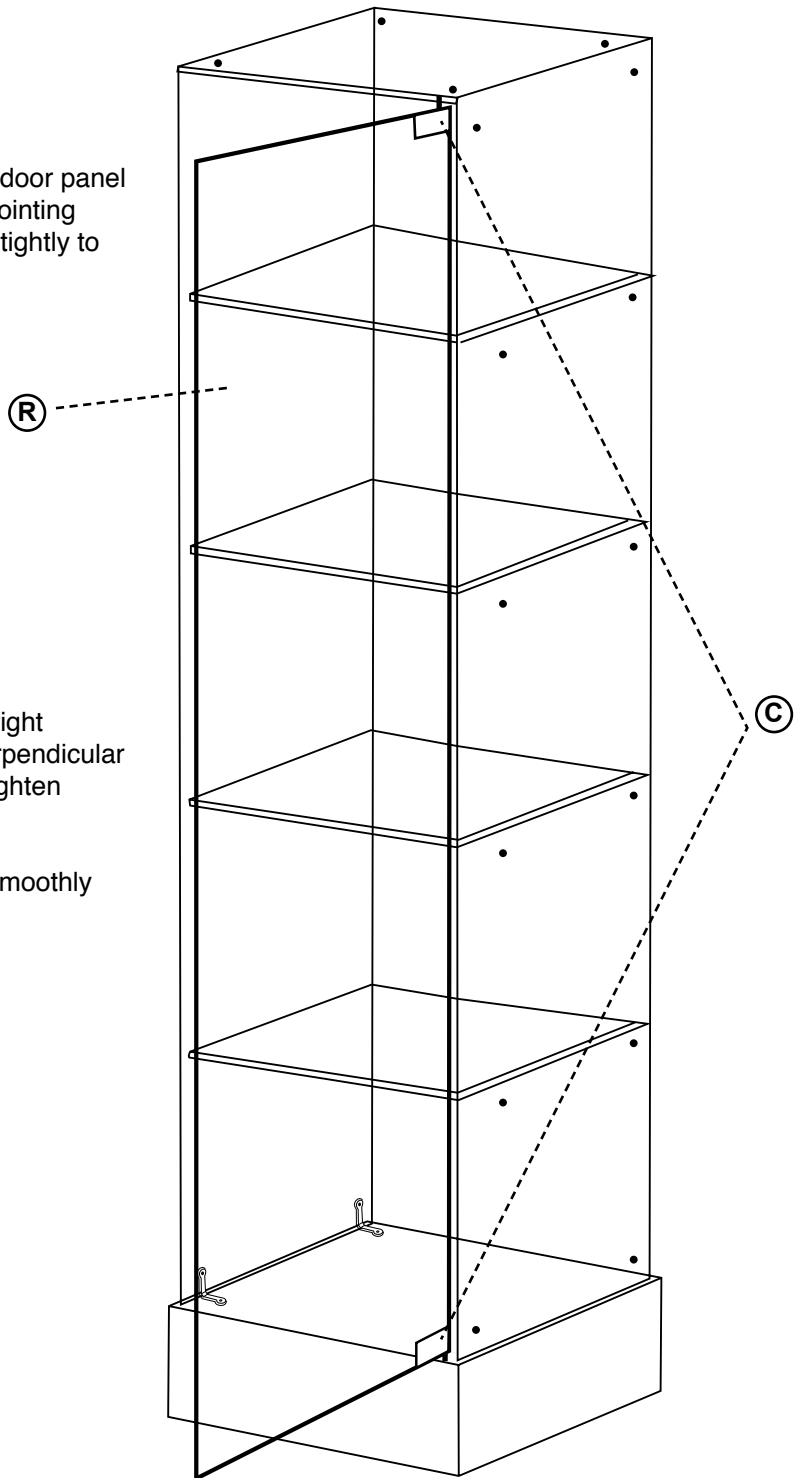
Bottom hinge

Insert top hinge with post pointing upward into top, right pre-drilled hole on top glass panel. Holding door perpendicular to the tower, slide top corner into hinge and finger tighten screws. (Do not tighten screws all the way).

Once in place, make sure door swings evenly and smoothly before fully tightening screws on top hinge.



Top hinge



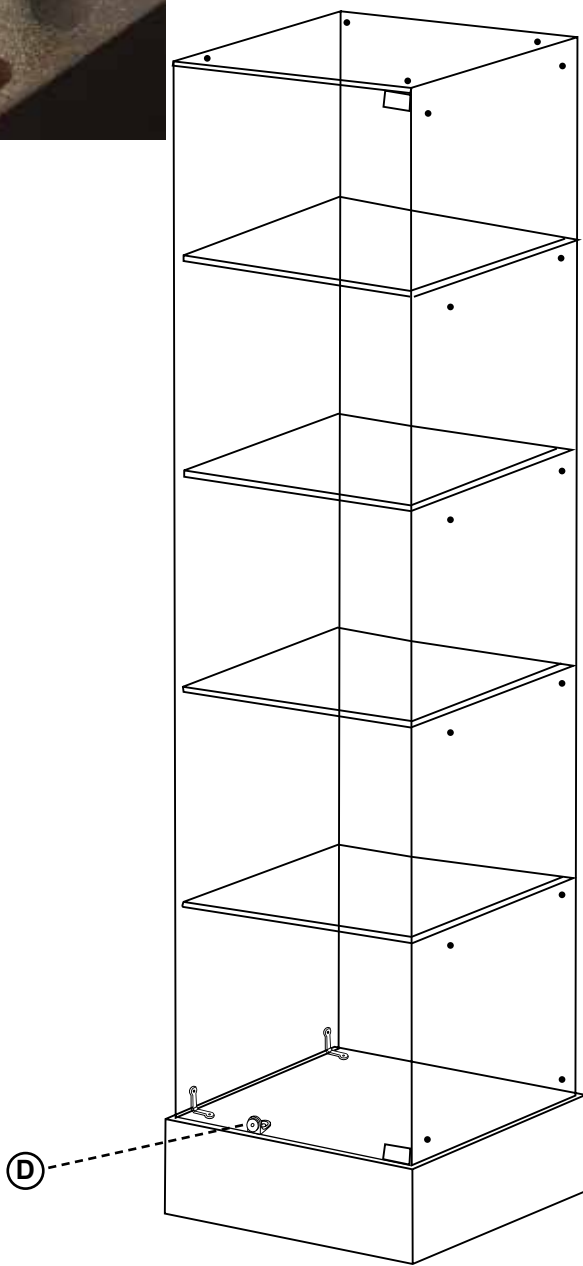


# FRAMELESS GLASS TOWER

#16523

## STEP 7

Door stop and lock  
Attach the door stop (D) to wood base using  
flat head screw (K).



## STEP 8

Slide door lock (E) onto bottom door edge. Align the tab  
under the lock with the pre-cut slot in the wood base.  
Ensure lock slides smoothly up and down with key prior  
to tightening screws.

