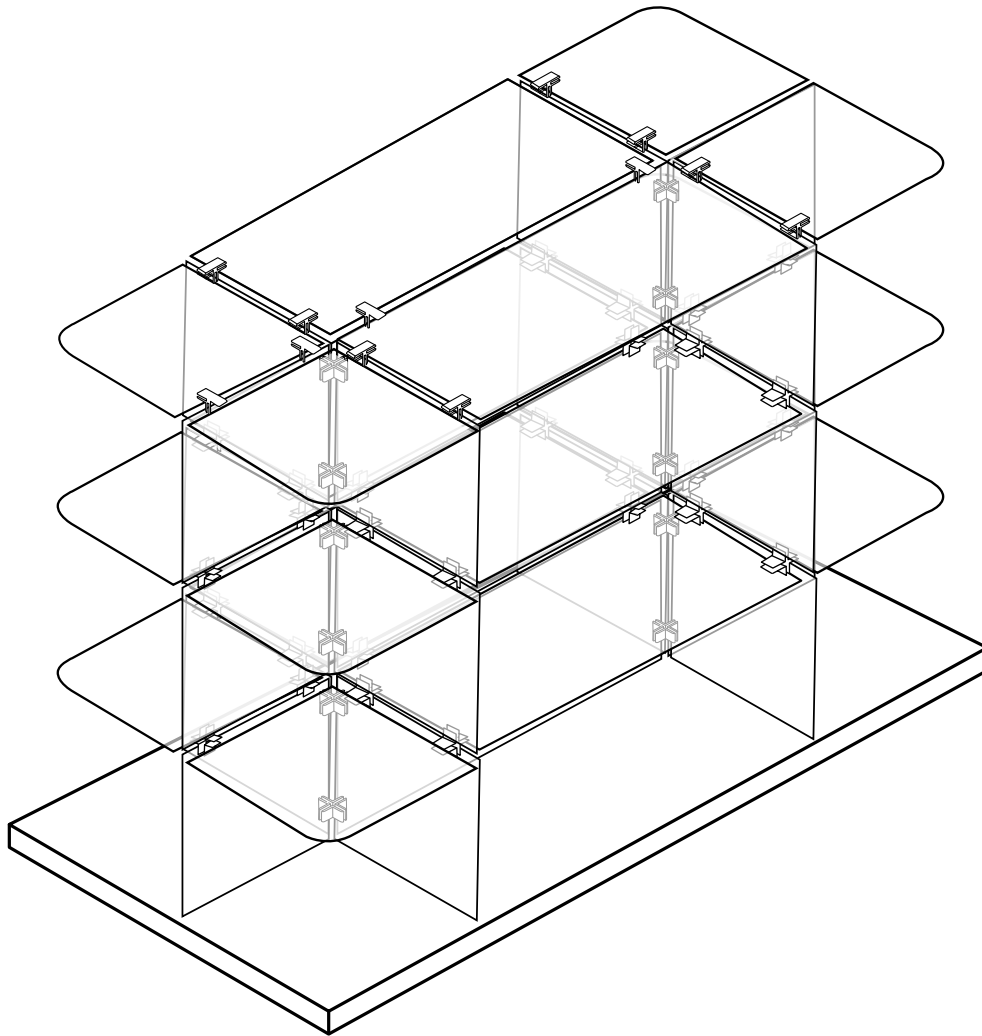


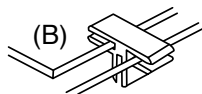
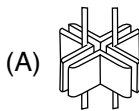
GLASS UNIT - RECTANGULAR 30"H x 60"W ASSEMBLY INSTRUCTIONS

#14246

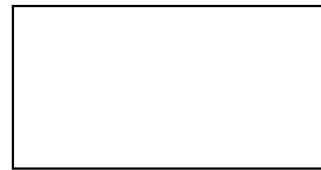


PARTS LIST

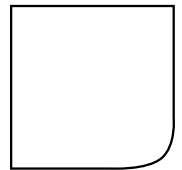
- (A) 40 - 4-way connector
- (B) 14 - 3-way connector
- (C) 18 - square glass panels
- (D) 9 - rectangular panels
- (E) 12 - square panel with 2" radiused corner



(C)



(D)



(E)

BASE SOLD SEPARATELY.

kc store fixtures

quality • service • value
on display

www.kc-store-fixtures.com

7400 E. 12th Street, Kansas City, MO 64126 • 1-800-862-0899

GLASS UNIT - RECTANGULAR 30"H x 60"W ASSEMBLY INSTRUCTIONS

#14246

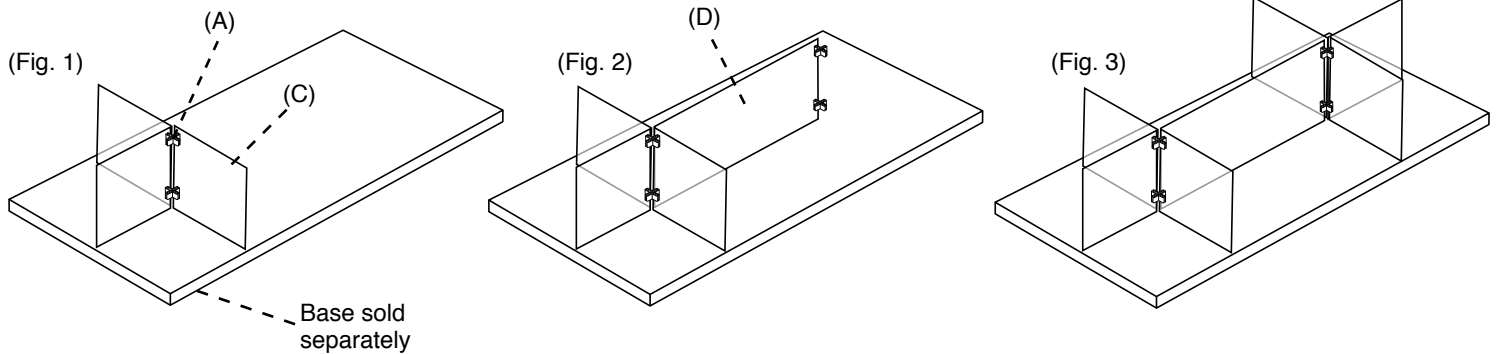
STEP 1

Using two 4-Way Connectors (A), fasten 3 square panels (C) forming a letter "T" (Fig. 1). When placing 4-way connectors, locate approximately 2 inches from the top and bottom of glass panel.

Using the fourth side of each 4-Way Connector, attach 1 rectangular panel (D) (Fig. 2)

Attach two more 4-Way Connectors (A) at the opposite end of the rectangular panel followed by 3 square panels (C) forming a letter "T". (Fig. 3)

Once all seven panels are joined together, place onto a level base.



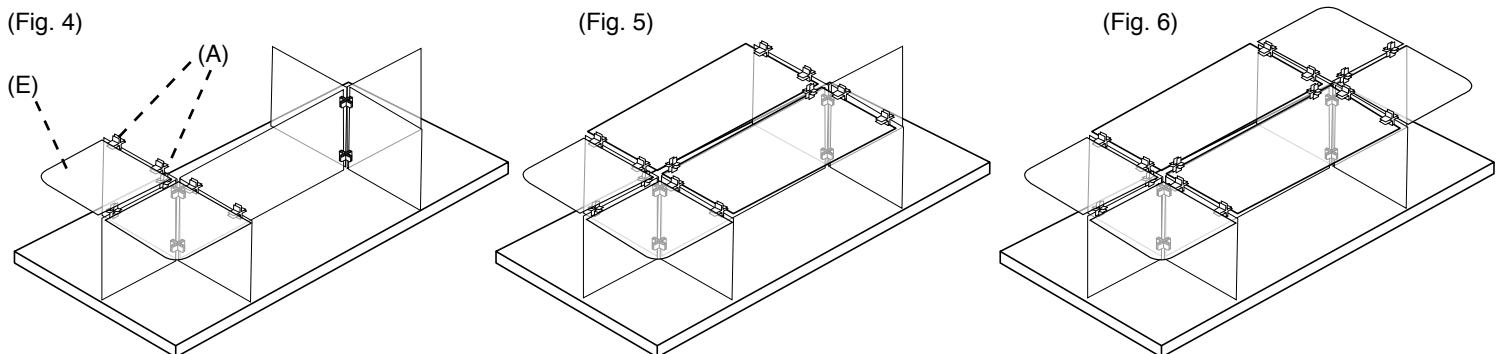
STEP 2

To create the top for level one, add two 4-way Connectors (A) to the top of each square glass panel, use a total of six connectors. Next, slide a 2" radiused corner panel (E) into the connectors at the top of "L" shape (Fig. 4). Repeat for other corner.

Attach rectangular panels (D) in the center using six more 4-Way connectors (Fig. 5)

To complete this level, attach 2 quarter round panels to the end of fixture (Fig. 6)

Level one is now complete.



GLASS UNIT - RECTANGULAR 30"H x 60"W ASSEMBLY INSTRUCTIONS

#14246

STEP 3

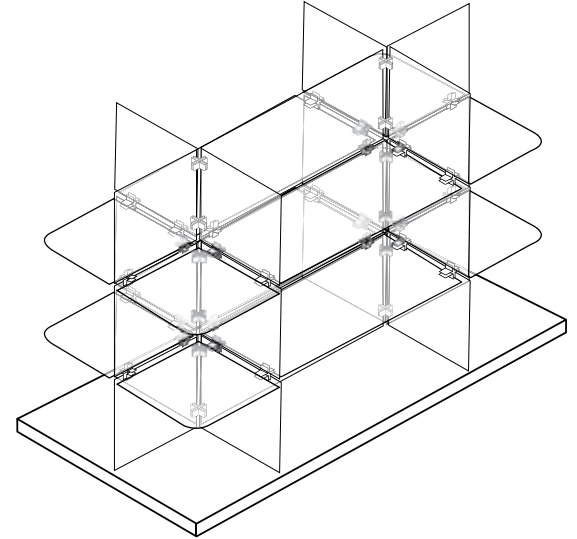
Repeat STEP 1 and STEP 2 to complete level two.

Repeat only STEP 1 to begin level three.

Level 3

Level 2

Level 1



STEP 4

To complete level three, place 3-Way Connectors (B) at the top of each square glass panel, use a total of six connectors. Next, slide 2" radiused corner panel (E) into the connectors at the top of "L" shape (Fig. 7). Repeat for other corner. Attach rectangular panels (D) in the center using six more 3-Way connectors (Fig. 8). To complete this level, attach 2 quarter round panels to the end of fixture (Fig. 9).

