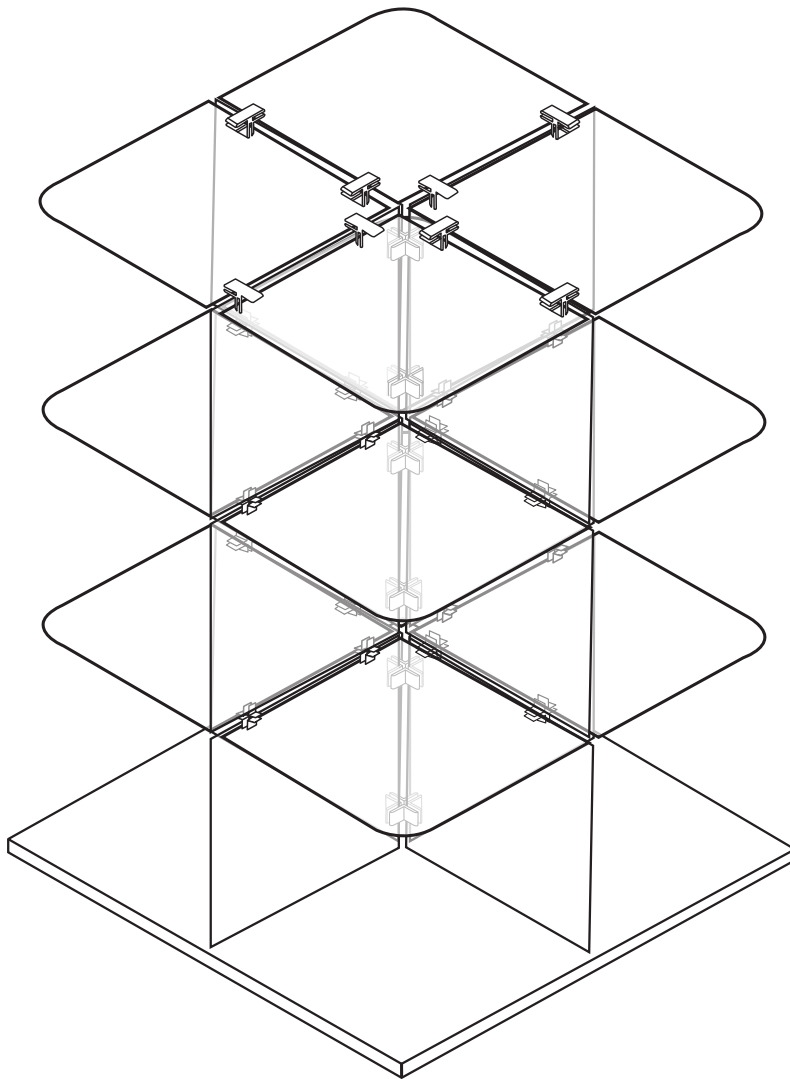


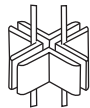
# GLASS UNIT, SQUARE FLAT TOP ASSEMBLY INSTRUCTIONS

#14228C, 14228B, 14228CL

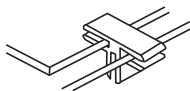


## PARTS LIST

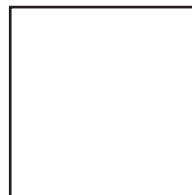
- (A) 22 - 4-way connector
- (B) 8 - 3-way connector
- (C) 12 - 14" x 14" square glass
- (D) 12 - 14" x 14" square glass with 2" radius corner



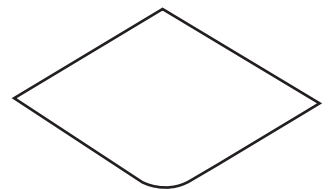
(A)



(B)



(C)



(D)

*BASE SOLD SEPARATELY.*

**kc store fixtures**

quality • service • value  
on display

[www.kc-store-fixtures.com](http://www.kc-store-fixtures.com)

7400 E. 12th Street, Kansas City, MO 64126 • 1-800-862-0899

# GLASS UNIT, SQUARE FLAT TOP ASSEMBLY INSTRUCTIONS

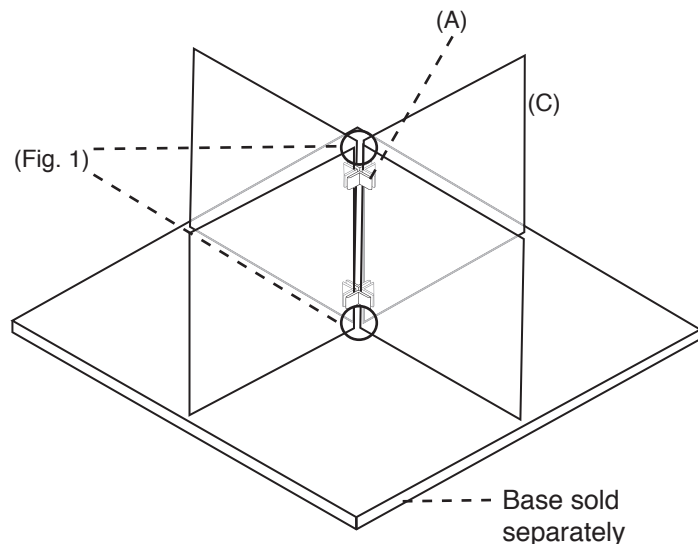
#14228C, 14228B, 14228CL

## STEP 1

Using two 4-Way Connectors (A), fasten 2 square panels (C) forming an "L" shape. Then add 2 more square panels to bottom level one as shown.

When placing 4-way connectors, locate approximately 2 inches from the top and bottom of glass panel (Fig. 1).

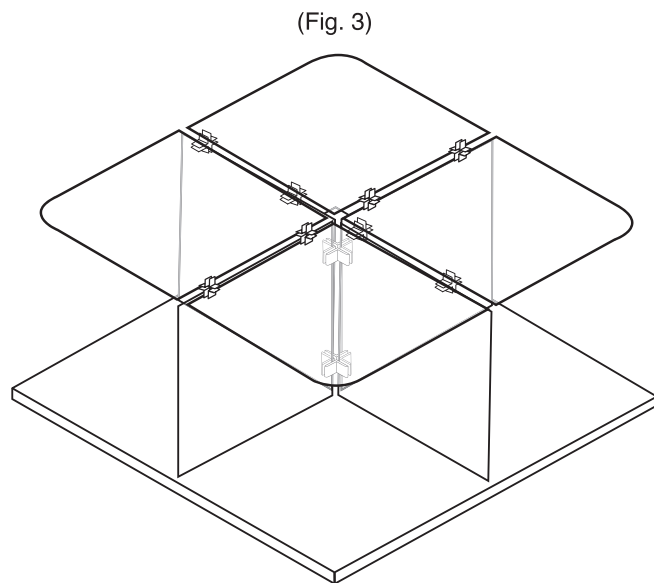
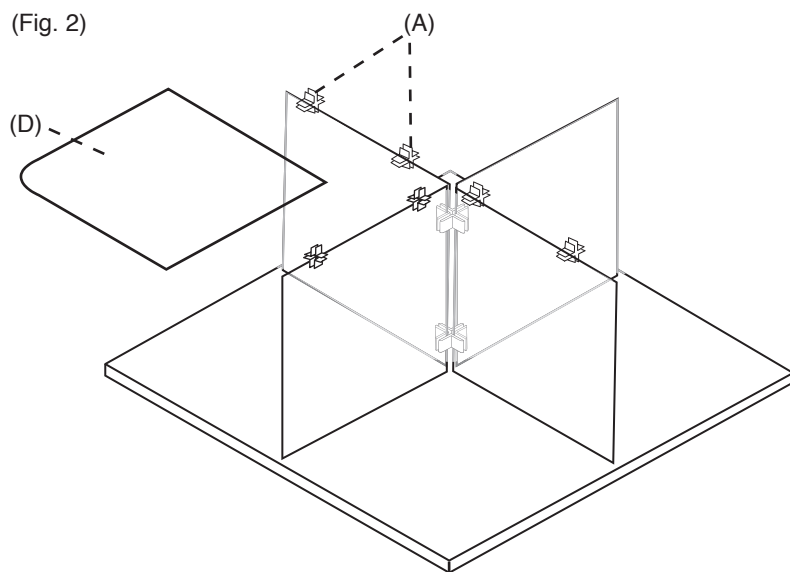
Once all four panels are joined together, place onto a level base.



## STEP 2

Add two 4-way Connectors (A) to the top of each square glass panel, use a total of eight connectors. Next, slide a 2" radiused corner panel (D) into the connectors at the top of "L" shape (Fig. 2).

Repeat this until all four radiused panels are attached and level one is complete. (Fig. 3)

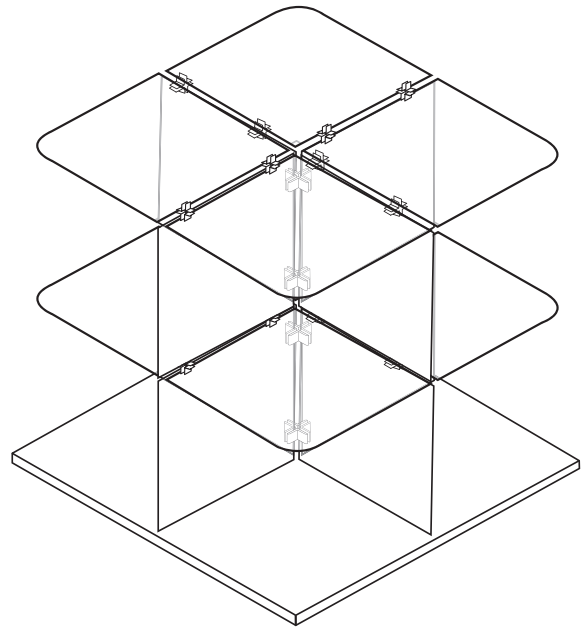


# GLASS UNIT, SQUARE FLAT TOP ASSEMBLY INSTRUCTIONS

#14228C, 14228B, 14228CL

## STEP 3

Repeat STEP 1 and STEP 2 to complete level two.



## STEP 4

Using two 3-Way Connectors (B), fasten a radiused corner panel (D) to top of the third level. Repeat this for all four sections of the third level until complete (Fig. 4).

Position 3-Way Connectors approximately 2 inches from each edge as shown below.

