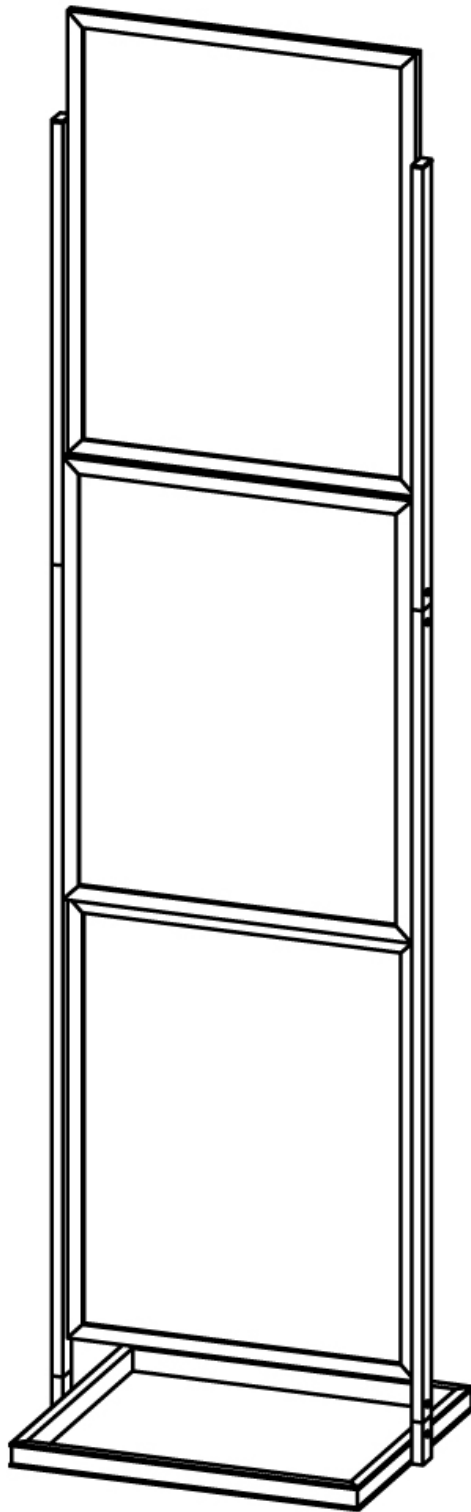


TRIPLE SIGN FRAME ASSEMBLY INSTRUCTIONS

Chrome #10616, Black #10606

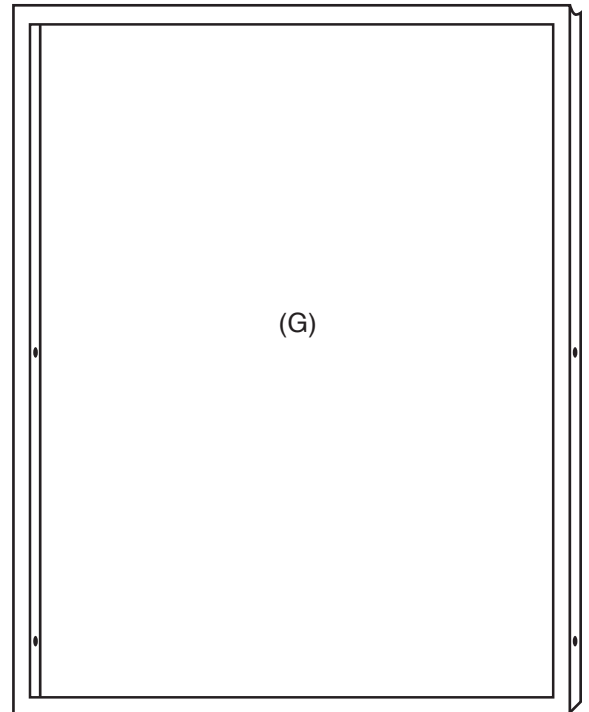
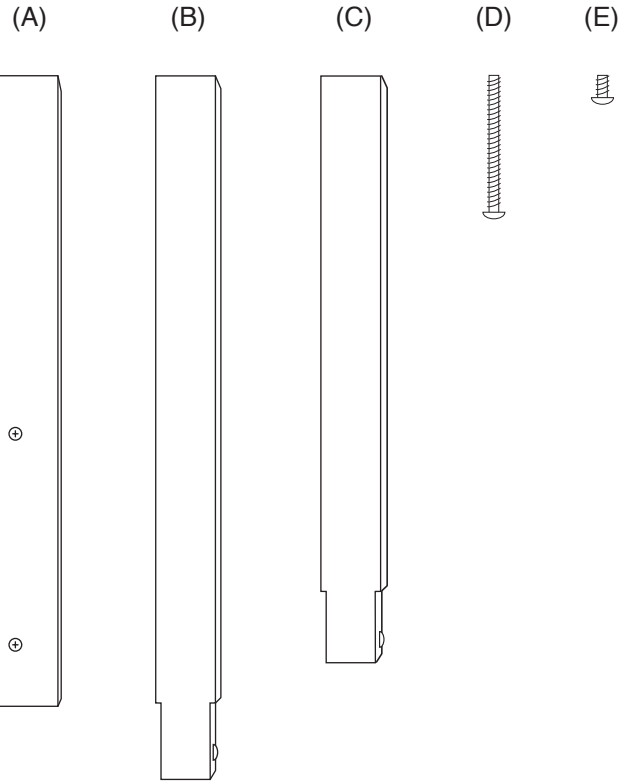


TRIPLE SIGN FRAME ASSEMBLY INSTRUCTIONS

Chrome #10616, Black #10606

PARTS LIST

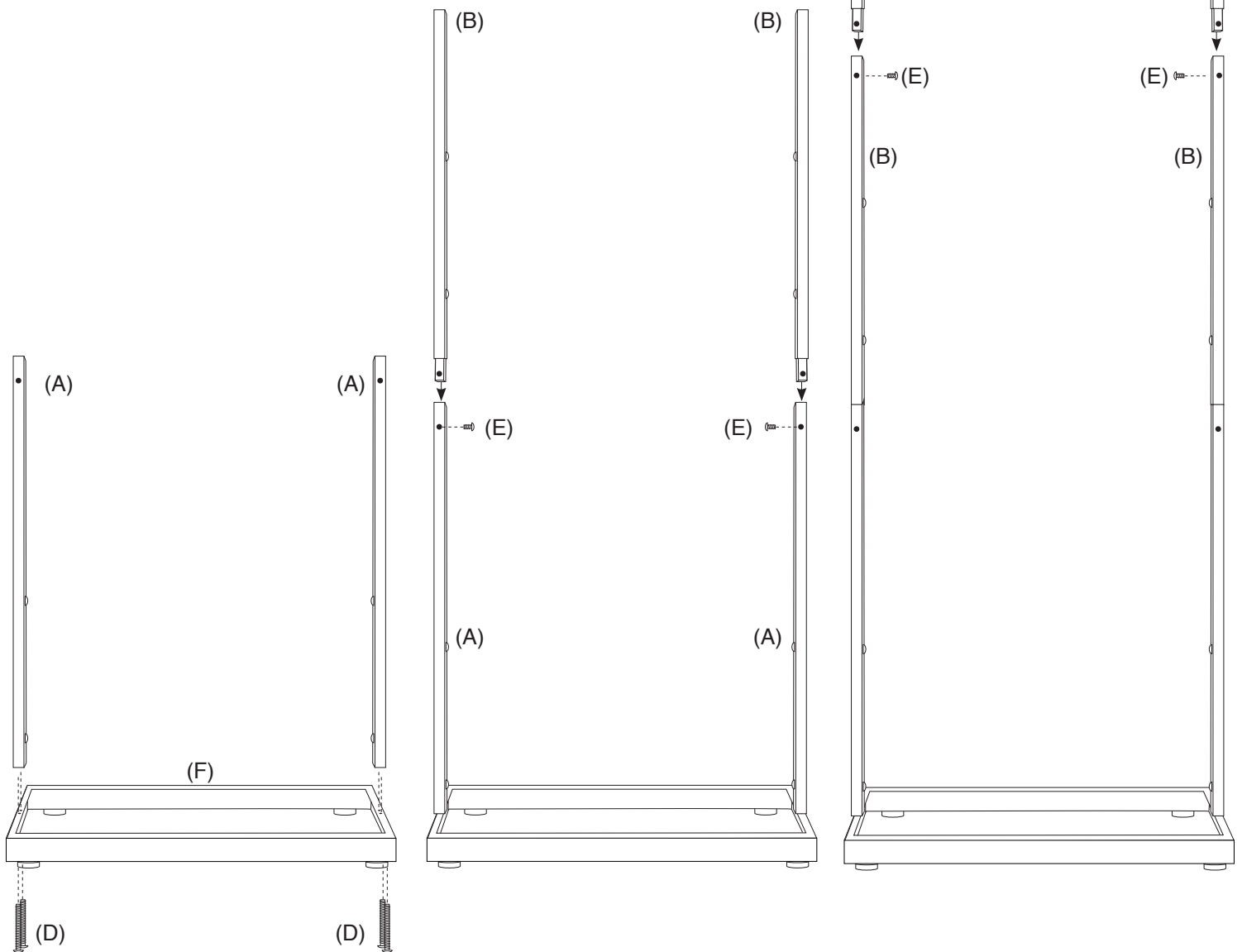
- (A) 2 - 25" Vertical post
- (B) 2 - 28" Vertical post
- (C) 2 - 23-1/2" Vertical post
- (D) 4 - 2-1/2" Hex head bolts
- (E) 16 - 1/2" Philips head bolts
- (F) 1 - Base
- (G) 3 - 22"x28" Sign frames



TRIPLE SIGN FRAME ASSEMBLY INSTRUCTIONS

Chrome #10616, Black #10606

NOTE: Screws located along the side of vertical posts must face inward. This is where sign frames will attach.



STEP 1

Remove bolts (D) from bottom of both 25" long vertical posts (A). Align post with holes on base (F).

Insert 2" bolts through bottom of base, up through the holes and into the bottom of the vertical posts (A).

STEP 2

Add 28" vertical post (B) by inserting tapered end into top of post (A). Secure posts by using 1/2" bolt (E).

STEP 3

Add 23-1/2" vertical post (C) inserting tapered end into top of post (B). Secure posts by using bolt (E).

kc store fixtures

quality • service • value
on display

www.kc-store-fixtures.com

7400 E. 12th Street, Kansas City, MO 64126 • 1-800-862-0899

TRIPLE SIGN FRAME ASSEMBLY INSTRUCTIONS

Chrome #10616, Black #10606

STEP 4

Starting at the bottom, attach sign frames (G) using screws located on the inside of each vertical post.

Open slot on sign frames must face up.

